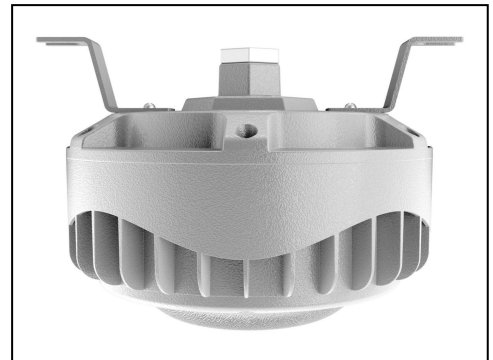




Product Specifications

(Ex LED PLATFORM LIGHT)



Features

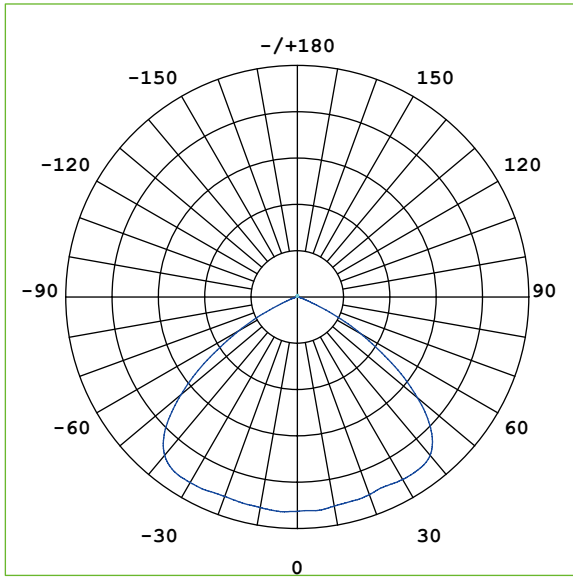
- Packed with branded LEDs and power supply, to ensure the product reliability and life expectancy with 5 years warranty;
- Adopt dust and waterproof structure design, waterproof level IP66;
- High-duty die-cast aluminum housing and tempered glass cover, fully sealed to be dirt and bug proof;
- Various of installation methods, easy install and using.

Technical Specifications

Model No.	LGS-EXPT-50W	LGS-EXPT-70W	LGS-EXPT-100W	LGS-EXPT-120W
Power	50W	70W	100W	120W
Lumen Output	7,000lm	9,800lm	14,000lm	16,800lm
Lumen Efficiency	140lm/w			
CCT	3000/4000/5000/5700/6500K			
CRI	Ra>80(Ra>90 optional)			
Chip Brand	Lumileds			
Beam Angle $\theta/2$	120°			
Light Decay Rate	Less than 3% in 6,000Hours			
Lifespan	≥50,000Hrs			
Input Voltage	100-240VAC 50/60Hz			
Power Factor	PF>0.95			
THD	<10%			
Driver Brand	Sosen/Suncom			
Material	Aluminum Housing+Tempered Glass Cover(PC Cover optional)			
Degree of Protection	IP66 & IK08			
Electrical System	Ex d IIB T6 Gb/Ex d IIC T6 Gb/Ex tD A21IP66 T80°C			
Anti-Corrosion Grade	WF2			
Dimensions	222*189mm		262*212mm	
Package	1pcs/CTN			
Gross Weight(KG)	2.0kg		3.5kg	
Cartoon Size	278*256*286mm		317*295*265mm	
Finish	Grey			
Installation	Hanging/Mounting			
Working Temperature	-30°C~+50°C			
Storage Temperature	-40°C~+70°C			
Certificate	ATEX, CE, RoHS			
Warranty	5 years			
Optional Functions	0-10V/PWM/DALI Available on Request			

Light Distribution

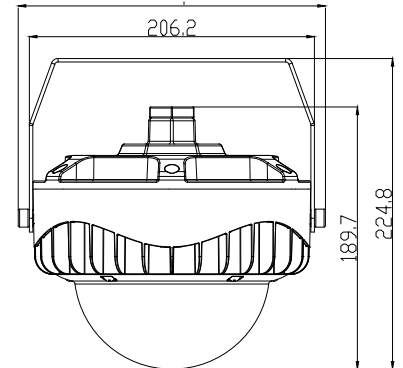
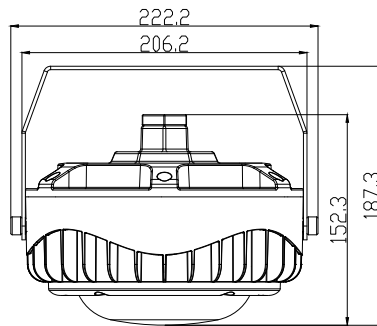
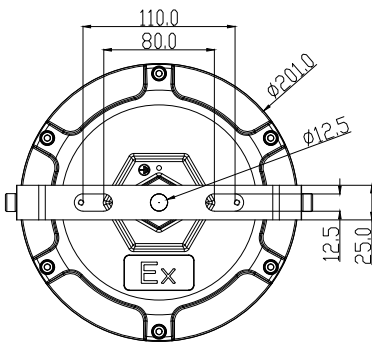
120°/High Efficacy LED Source



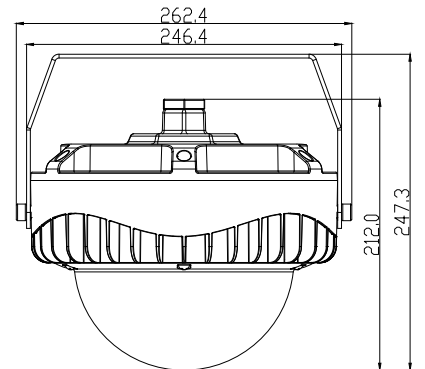
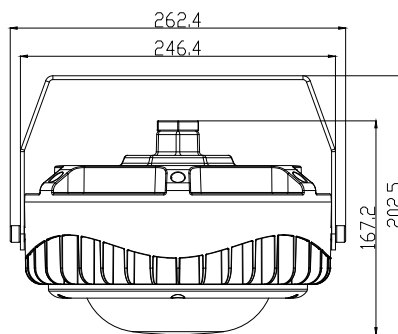
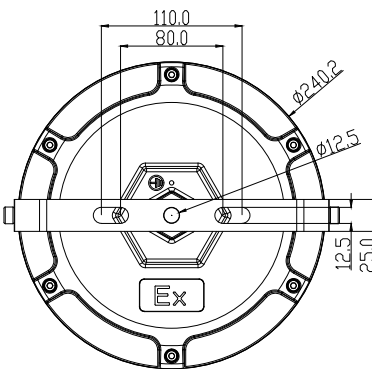
Dimensions and Drawings

Unit: mm

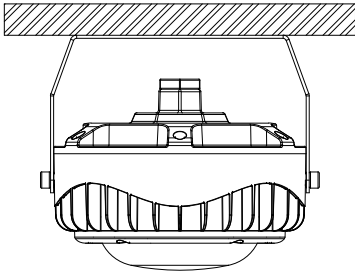
50W/70W



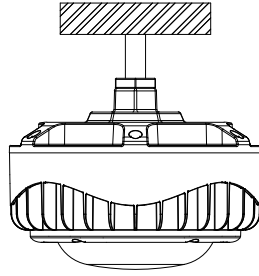
100W/120W



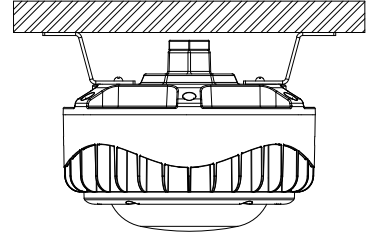
Installations



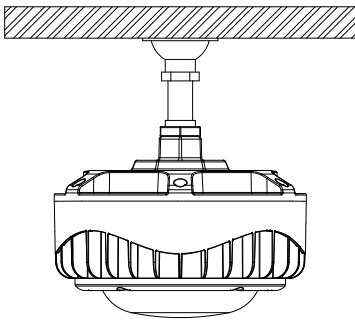
Ceiling Mounted



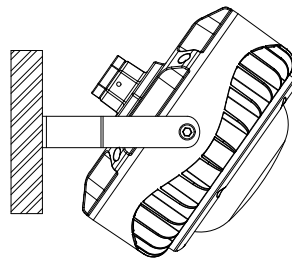
Rod Mounted



Ceiling Mounted



Ceiling Mounted



Wall Mounted

Installation Requirements

1. Power off before installation, and read the instruction carefully;
2. Make sure the installation material can endure the lamp weight;
3. Connect lamp wire to match power wire, and seal the joint with insulation;
4. The lamp must be installed reliably to prevent loosening and falling off.

Notice

1. Please first read the product specification carefully, make sure the using environment conform to specification, then it can be used;
2. Please confirm the input voltage, frequency before use;
3. This product must be installed by professionals;
4. If there is any damage to the power wire or shell of the product, it should be taken as defective product and do not use;
5. Dangerous high voltage, non-professionals are not allowed to maintain the product;
6. If external soft cable or soft wire of the light is damaged, it should be replaced by manufacturer or service agent or personnel with similar qualification to avoid danger.