



Product Specifications

(PLATINUM LED DOWN LIGHT)



For those looking for cutting-edge lighting solutions, Logos Lighting's Platinum LED downlights are an excellent choice. These fixtures feature state-of-the-art LEDs that provide bright, powerful light with minimal energy consumption. And the die-cast aluminum body of the fixture helps to keep these lights cool and durable, making them a great choice for both commercial and residential applications. Whether you need efficient lighting for your office, warehouse, or home, Logos Lighting's Platinum LED downlights are sure to deliver superior performance and value.

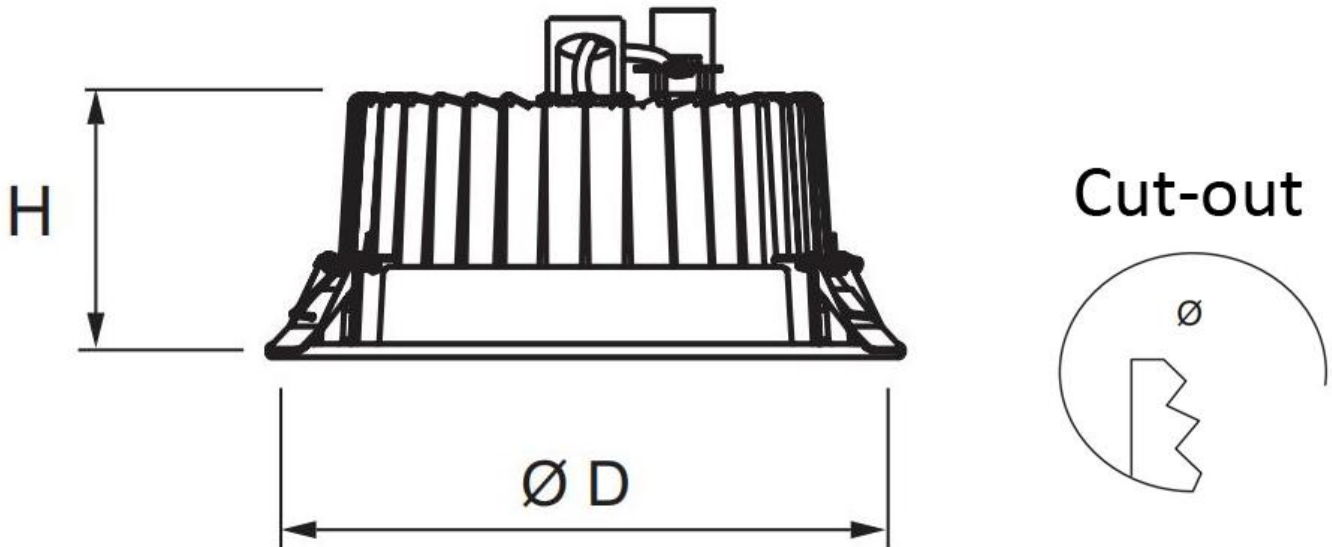
Features

- High performance reputed brand LEDs and drivers to ensure the product reliability;
- Endurable die-casting aluminum housing with good heat dissipation;
- Saving more than 80% energy compared with traditional lighting fixtures;
- Elegant appearance for various applications;
- 5 Years warranty.

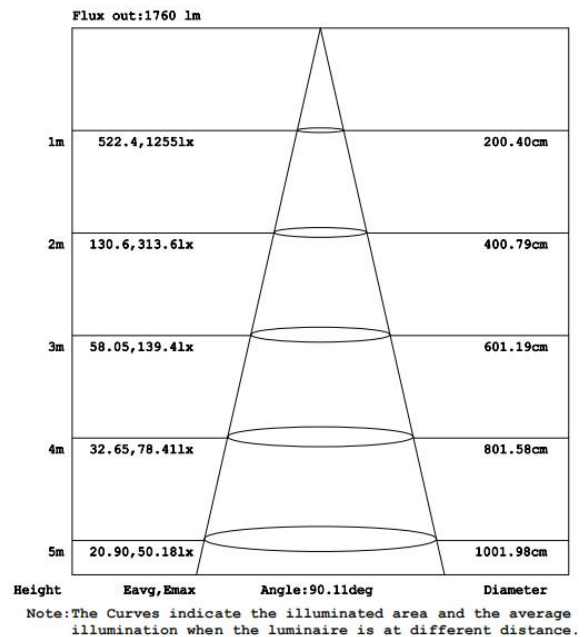
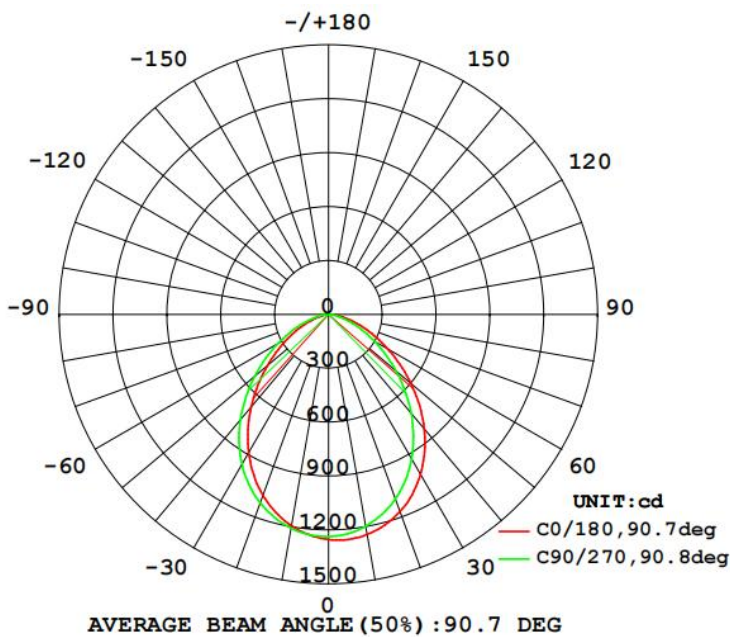
Technical Specifications

Model No.	LGS-RDL03-05W	LGS-RDL03-10W	LGS-RDL03-15W	LGS-RDL03-20W	LGS-RDL03-30W	LGS-RDL03-40W
Power	5W	10W	15W	20W	30W	40W
Lumen Output	500lm	1050lm	1575lm	2200lm	3300lm	4400lm
Lumen Efficiency	100lm/w	105lm/w	105lm/w	110lm/w	110lm/w	110lm/w
CCT	2700/3000/4000/5000/5700/6500K					
CRI	Ra>80(Ra>90 optional)					
Beam Angle	90 Degree					
Lighting Direction	Fixed					
Light Decay Rate	Less than 3% in 6,000Hours					
Lifespan	≥50,000Hrs					
Input Voltage	220-240VAC 50/60Hz					
Power Factor	PF>0.9					
THD	<15%					
Driver Brand	Philips/Osram					
Material	Aluminum housing+AL reflector+Opal diffuser					
Degree of Protection	IP44					
Dimensions	Φ100*H52mm	Φ130*H61mm	Φ160*H65mm	Φ190*H70mm	Φ230*H85mm	Φ300*H100mm
Cut-out	Φ85mm	Φ115mm	Φ145mm	Φ175mm	Φ205mm	Φ260mm
Appearance	White					
Installation	Recessed					
Working Temperature	-30℃~+50℃					
Storage Temperature	-40℃~+70℃					
Certificate	CE, RoHS					
Warranty	5 years					
Optional Functions	Dimming on Request					

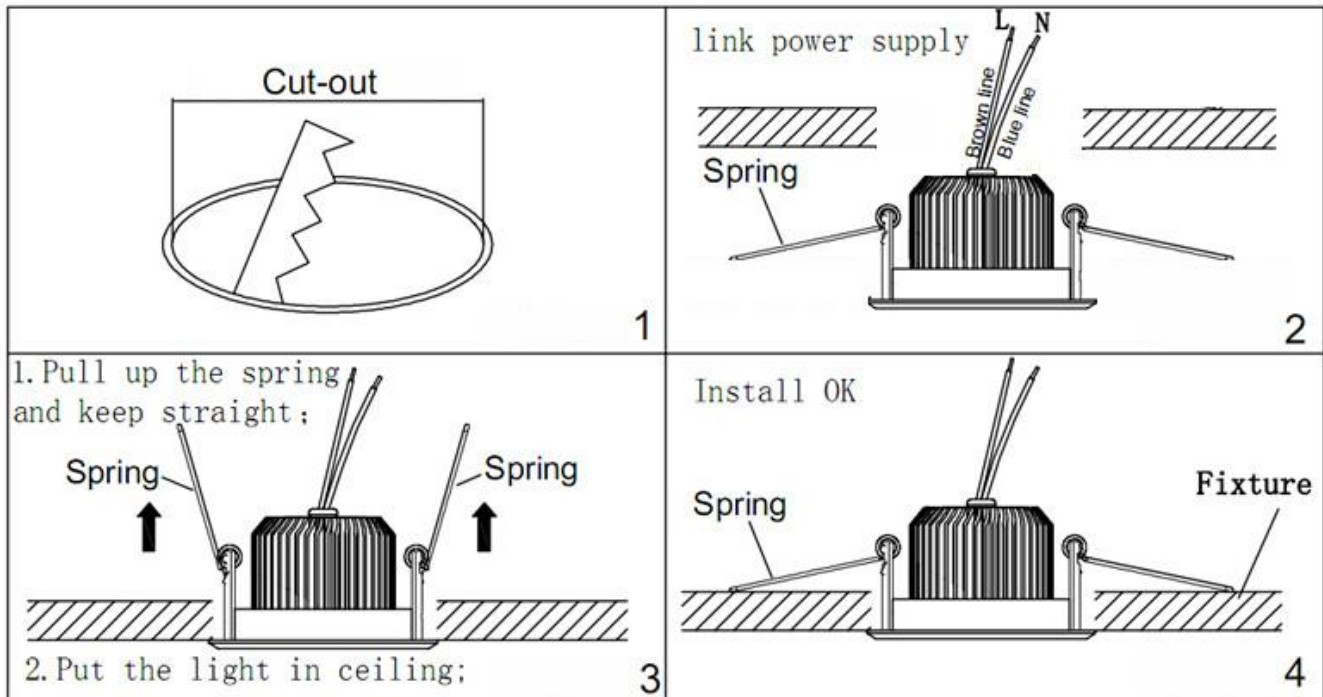
Drawing



Light Distribution



Installation



Notice

1. This product must be installed by professionals; Non-Professional must not install and disassemble the lamps;
2. Please confirm the input voltage, frequency before installation;
3. If there is any damage to the wire or shell of the product, it should be taken as defective product and do not use it;
4. Please follow the correct installation steps to install the product, and do not touch when it is working;
5. Please turn power off when installing or removing the products to avoid risk of electric shock;
6. Do not look directly at the LED light source for a long time.

Applications

