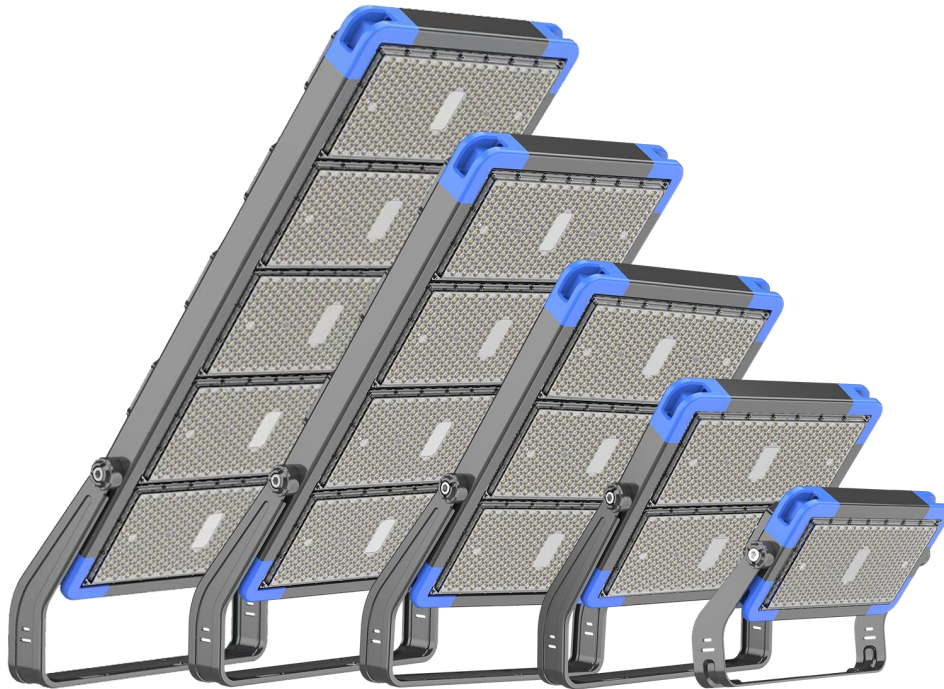




# Product Specifications

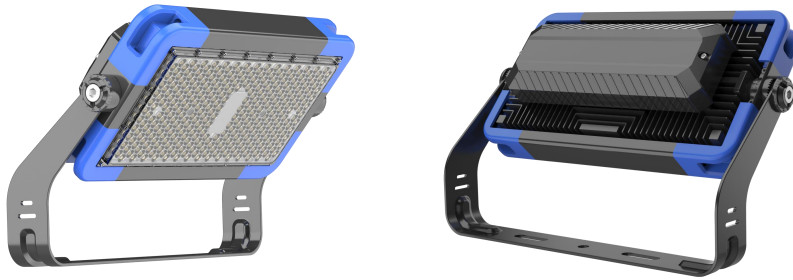
## (VENUS LED STADIUM LIGHT)



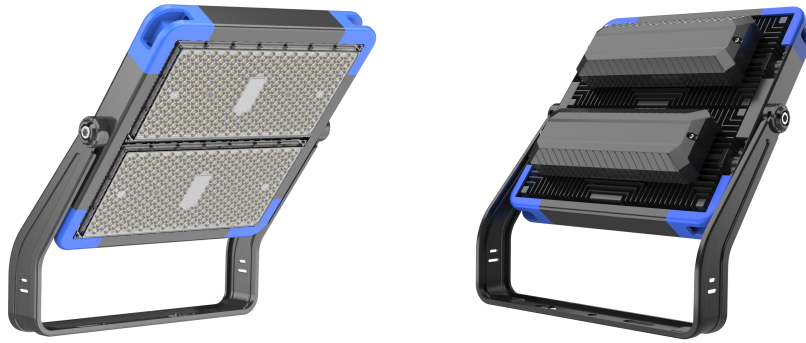
## Features

- Separate modular design, 250W each modular integrated with driver;
- Use high quality LEDs and power supply to ensure the product reliability and life expectancy, 5 years warranty;
- An-ti UV optical lens, light transmittance > 94%, professional light distribution with different beam angles for various applications;
- Lumileds chip and Mean Well driver, CRI > 80, high light efficiency 140Lm/w;
- IP66 structural waterproof design.

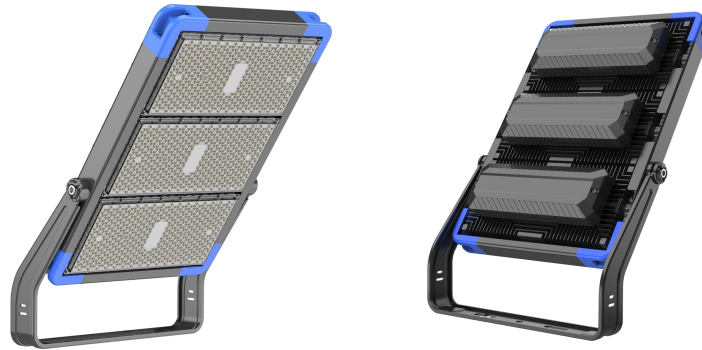
# Technical Specifications



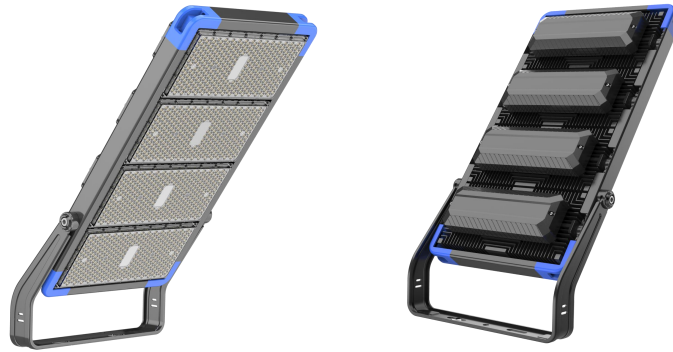
Product Name		Venus LED Stadium Light
Model No.		LGS-GSLV-250W
<b>Optical</b>	LEDs	Lumileds
	Lumen Output	35000lm ± 10%
	Luminous Efficiency(lm/w)	140lm/w
	Color Temperature(CCT)	2700-6500K
	Color Rendering Index(CRI)	Ra>80
	Beam Angle θ/2	10°/25°/45°/60°/90°/130°*40°/65°*25°*60°
	Light Decay Rate(%)	Less than 3% in 6,000Hours
	Lifespan(Hrs)	≥50,000Hrs
<b>Electrical</b>	Power Consumption(W)	250W ± 10%
	Input Voltage(V)	100-240VAC
	Frequency(Hz)	50/60Hz
	Power Factor(PF)	>0.95
	Start Time(s)	≤0.1s
	Driver Efficiency	>93%
	Total Harmonic Distortion(THD)	<20%
	Driver	Mean Well
<b>Mechanical</b>	Material	Aluminum+Polycarbonate
	Degree of Protection	IP66
	Dimensions(mm)	460*222*111mm
	Net Weight	9KG
	Appearance	Black
	Installation	Mounting
	Package	1pcs/CTN
	Gross Weight	10KG
	Outer Carton Dimensions(mm)	543*422*180mm
<b>Other</b>	Working Temperature & Humidity	-25°C~+50°C, 10%~90%R.H.
	Storage Temperature & Humidity	-40°C~+70°C, 0%~95%R.H.
	Certificate	CE, RoHS
	Warranty	5 years
	Dimmable	0-10V/PWM/Dali Available



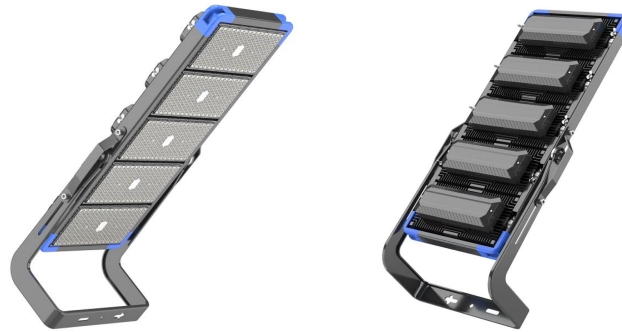
Product Name		Venus LED Stadium Light
Model No.		LGS-GSLV-500W
Optical	LEDs	Lumileds
	Lumen Output	70000lm ± 10%
	Luminous Efficiency(lm/w)	140lm/w
	Color Temperature(CCT)	2700-6500K
	Color Rendering Index(CRI)	Ra>80
	Beam Angle θ/2	10°/25°/45°/60°/90°/130°*40°/65°*25°*60°
	Light Decay Rate(%)	Less than 3% in 6,000Hours
	Lifespan(Hrs)	≥50,000Hrs
Electrical	Power Consumption(W)	500W ± 10%
	Input Voltage(V)	100-240VAC
	Frequency(Hz)	50/60Hz
	Power Factor(PF)	>0.95
	Start Time(s)	≤0.1s
	Driver Efficiency	>93%
	Total Harmonic Distortion(THD)	<20%
	Driver	Mean Well
Mechanical	Material	Aluminum+Polycarbonate
	Degree of Protection	IP66
	Dimensions(mm)	462*399*111mm
	Net Weight	15.5KG
	Appearance	Black
	Installation	Mounting
	Package	1pcs/CTN
	Gross Weight	17KG
	Outer Carton Dimensions(mm)	613*536*175mm
Other	Working Temperature & Humidity	-25°C~+50°C, 10%~90%R.H.
	Storage Temperature & Humidity	-40°C~+70°C, 0%~95%R.H.
	Certificate	CE, RoHS
	Warranty	5 years
	Dimmable	0-10V/PWM/Dali Available



Product Name		Venus LED Stadium Light
Model No.		LGS-GSLV-750W
Optical	LEDs	Lumileds
	Lumen Output	105000lm ± 10%
	Luminous Efficiency(lm/w)	140lm/w
	Color Temperature(CCT)	2700-6500K
	Color Rendering Index(CRI)	Ra>80
	Beam Angle θ/2	10°/25°/45°/60°/90°/130°*40°/65°*25°*60°
	Light Decay Rate(%)	Less than 3% in 6,000Hours
	Lifespan(Hrs)	≥50,000Hrs
Electrical	Power Consumption(W)	750W ± 10%
	Input Voltage(V)	100-240VAC
	Frequency(Hz)	50/60Hz
	Power Factor(PF)	>0.95
	Start Time(s)	≤0.1s
	Driver Efficiency	>93%
	Total Harmonic Distortion(THD)	<20%
	Driver	Mean Well
Mechanical	Material	Aluminum+Polycarbonate
	Degree of Protection	IP66
	Dimensions(mm)	460*584*111mm
	Net Weight	23KG
	Appearance	Black
	Installation	Mounting
	Package	1pcs/CTN
	Gross Weight	25KG
	Outer Carton Dimensions(mm)	663*536*225mm
Other	Working Temperature & Humidity	-25°C~+50°C, 10%~90%R.H.
	Storage Temperature & Humidity	-40°C~+70°C, 0%~95%R.H.
	Certificate	CE, RoHS
	Warranty	5 years
	Dimmable	0-10V/PWM/Dali Available

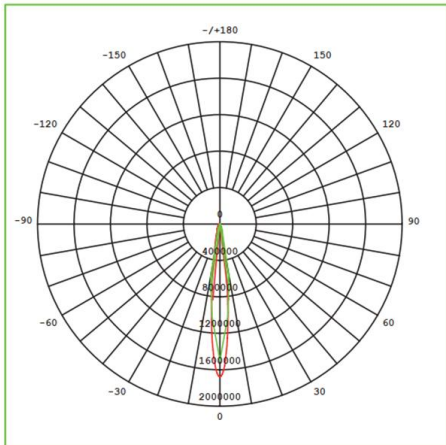


Product Name		Venus LED Stadium Light
Model No.		LGS-GSLV-1000W
Optical	LEDs	Lumileds
	Lumen Output	140000lm ± 10%
	Luminous Efficiency(lm/w)	140lm/w
	Color Temperature(CCT)	2700-6500K
	Color Rendering Index(CRI)	Ra>80
	Beam Angle θ/2	10°/25°/45°/60°/90°/130°/40°/65°/25°/60°
	Light Decay Rate(%)	Less than 3% in 6,000Hours
	Lifespan(Hrs)	≥50,000Hrs
Electrical	Power Consumption(W)	1000W ± 10%
	Input Voltage(V)	100-240VAC
	Frequency(Hz)	50/60Hz
	Power Factor(PF)	>0.95
	Start Time(s)	≤0.1s
	Driver Efficiency	>93%
	Total Harmonic Distortion(THD)	<20%
	Driver	Mean Well
Mechanical	Material	Aluminum+Polycarbonate
	Degree of Protection	IP66
	Dimensions(mm)	460*761*111mm
	Net Weight	28.5KG
	Appearance	Black
	Installation	Mounting
	Package	1pcs/CTN
	Gross Weight	30.5KG
Other	Outer Carton Dimensions(mm)	853*536*225mm
	Working Temperature & Humidity	-25°C~+50°C, 10%~90%R.H.
	Storage Temperature & Humidity	-40°C~+70°C, 0%~95%R.H.
	Certificate	CE, RoHS
	Warranty	5 years
	Dimmable	0-10V/PWM/Dali Available

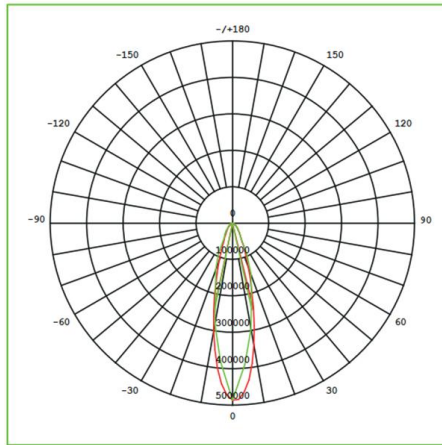


Product Name		Venus LED Stadium Light
Model No.		LGS-GSLV-1250W
Optical	LEDs	Lumileds
	Lumen Output	175000lm ± 10%
	Luminous Efficiency(lm/w)	140lm/w
	Color Temperature(CCT)	2700-6500K
	Color Rendering Index(CRI)	Ra>80
	Beam Angle θ/2	10°/25°/45°/60°/90°/130°/40°/65°/25°/60°
	Light Decay Rate(%)	Less than 3% in 6,000Hours
	Lifespan(Hrs)	≥50,000Hrs
Electrical	Power Consumption(W)	1250W ± 10%
	Input Voltage(V)	100-240VAC
	Frequency(Hz)	50/60Hz
	Power Factor(PF)	>0.95
	Start Time(s)	≤0.1s
	Driver Efficiency	>93%
	Total Harmonic Distortion(THD)	<20%
	Driver	Mean Well
Mechanical	Material	Aluminum+Polycarbonate
	Degree of Protection	IP66
	Dimensions(mm)	460*952*111mm
	Net Weight	36KG
	Appearance	Black
	Installation	Mounting
	Package	1pcs/CTN
	Gross Weight	38.5KG
	Outer Carton Dimensions(mm)	1073*536*335mm
Other	Working Temperature & Humidity	-25°C~+50°C, 10%~90%R.H.
	Storage Temperature & Humidity	-40°C~+70°C, 0%~95%R.H.
	Certificate	CE, RoHS
	Warranty	5 years
	Dimmable	0-10V/PWM/Dali Available

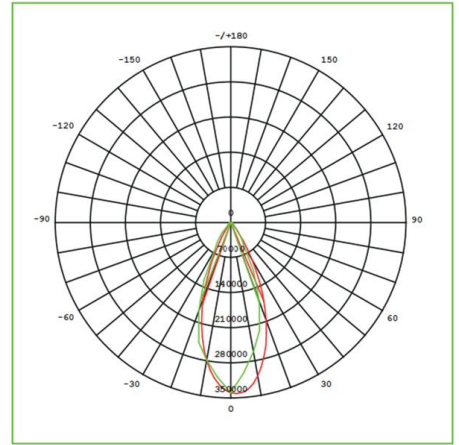
# Light Distribution Curves



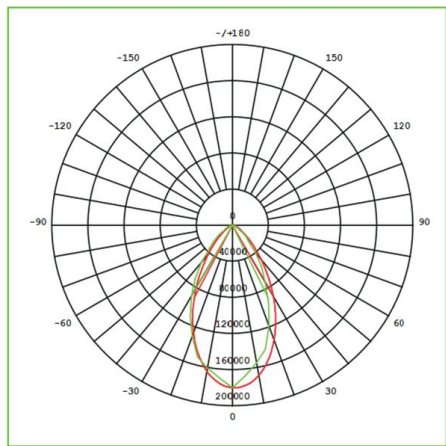
10°



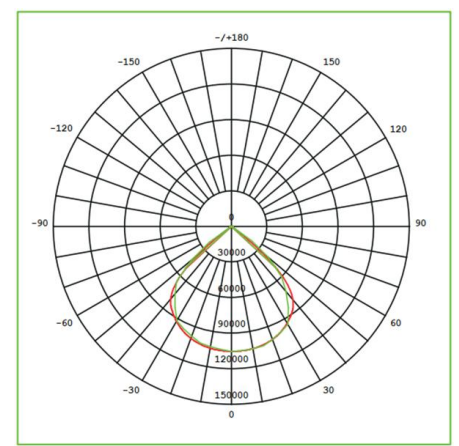
25°



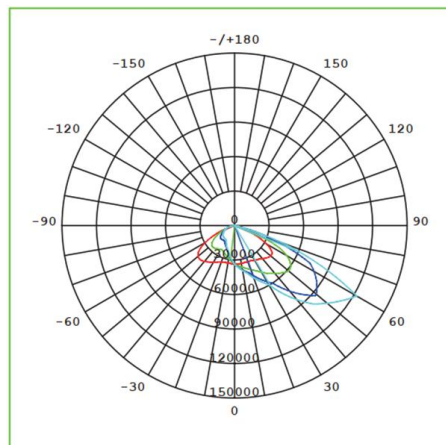
45°



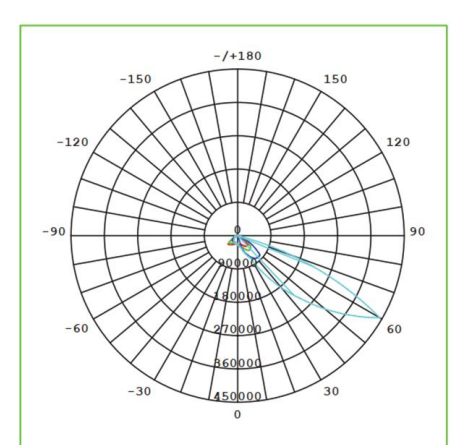
60°



90°



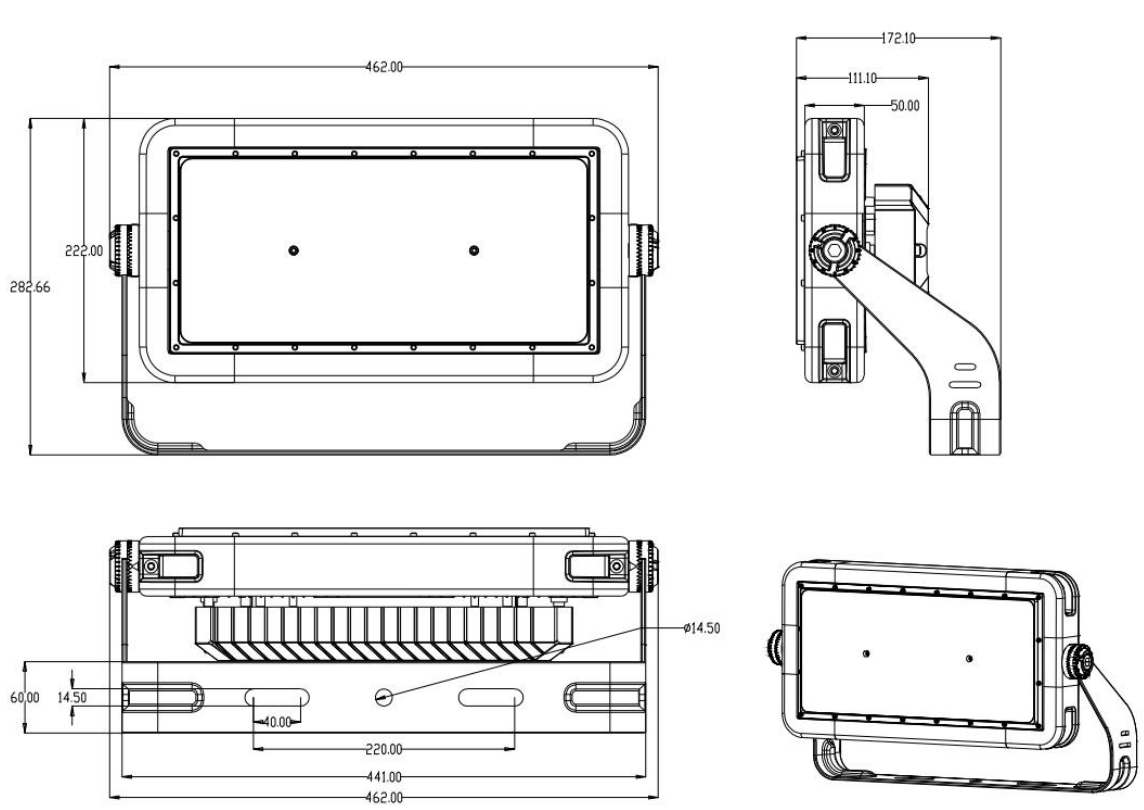
130\*30\*60°



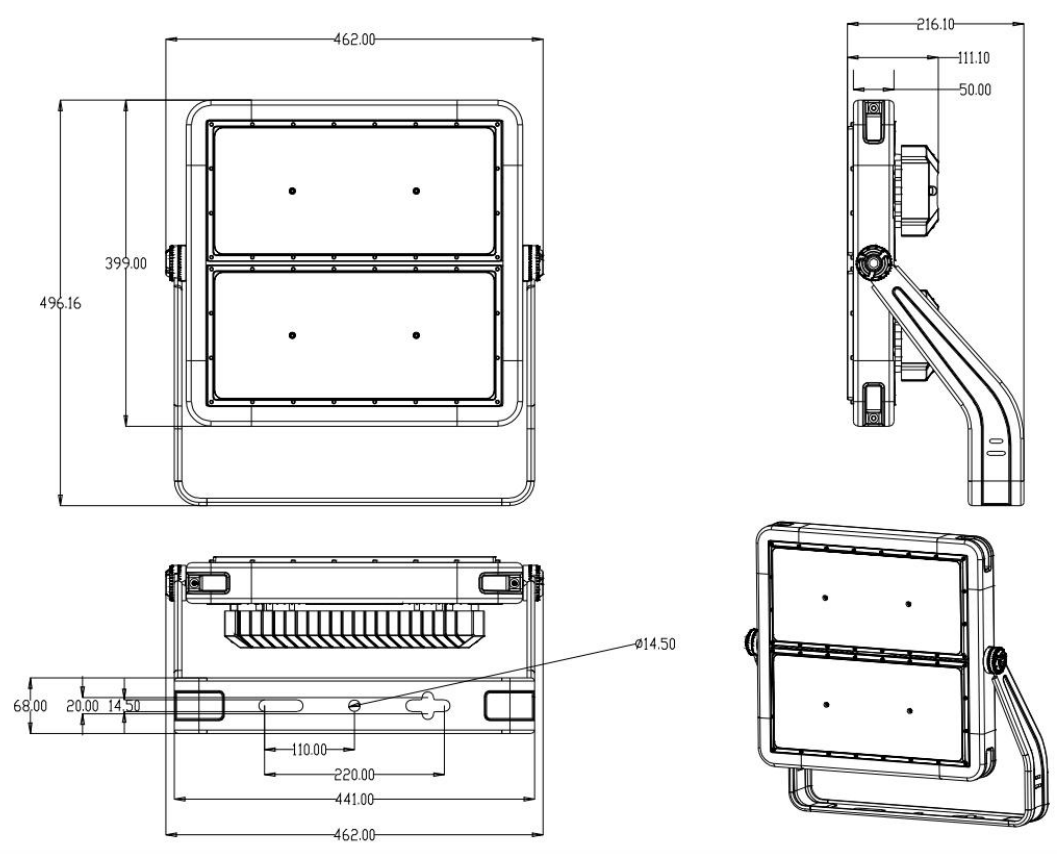
65\*25\*60°

# Dimensions and Drawings

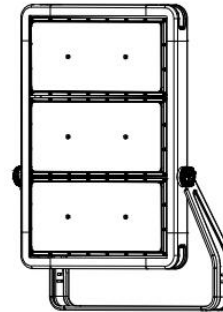
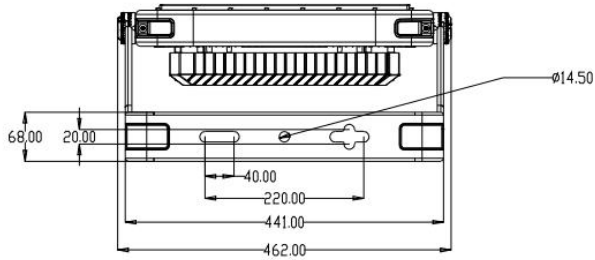
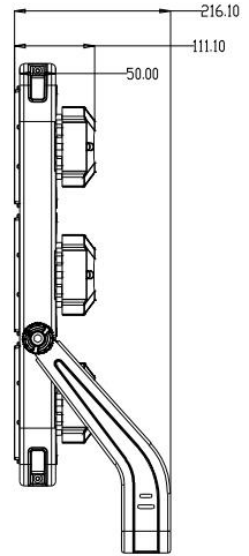
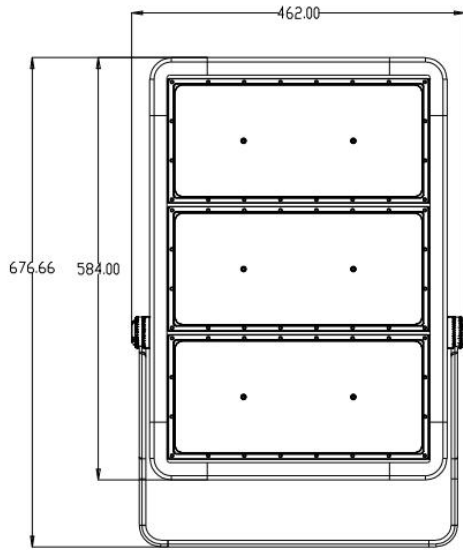
**250W**



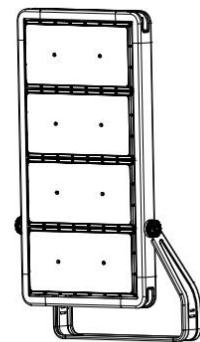
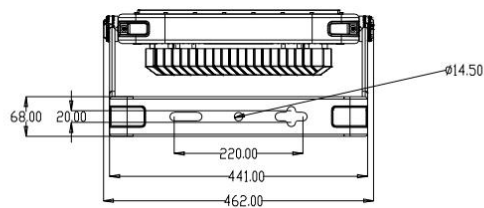
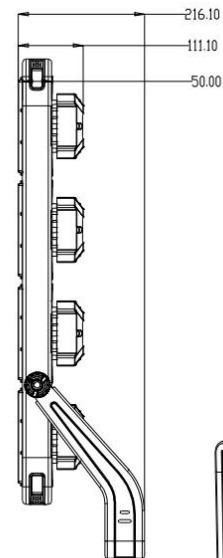
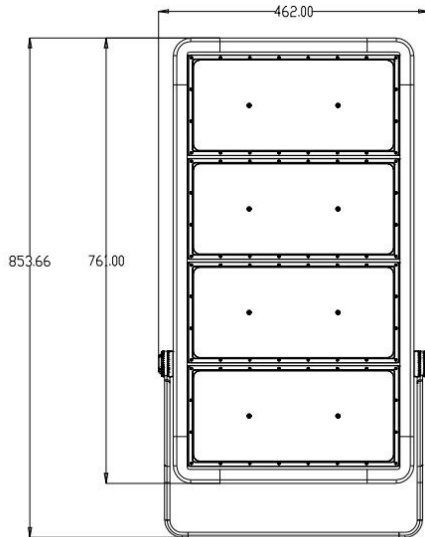
**500W**



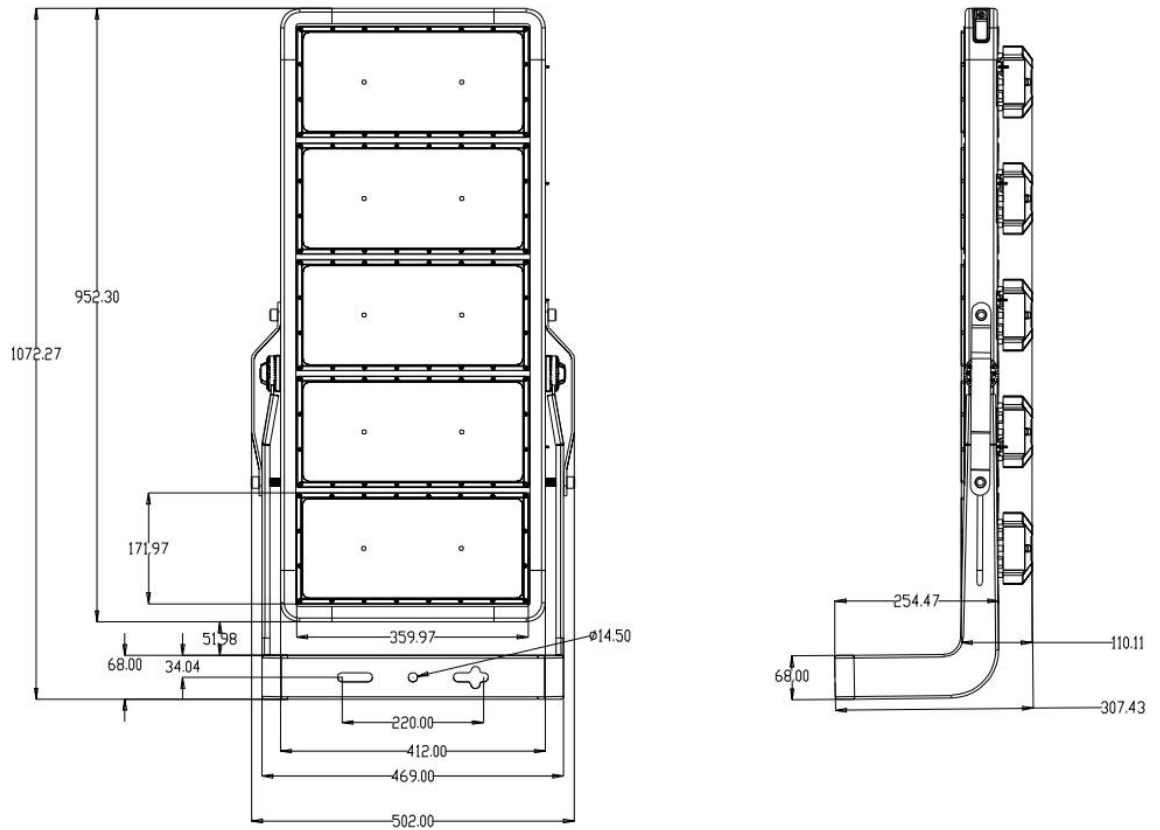




**750W**

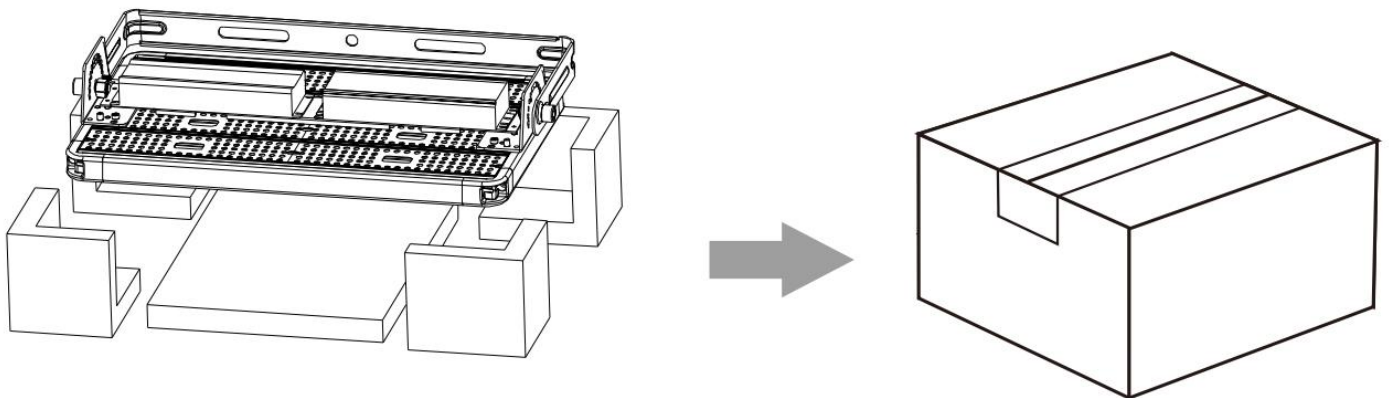


**1000W**

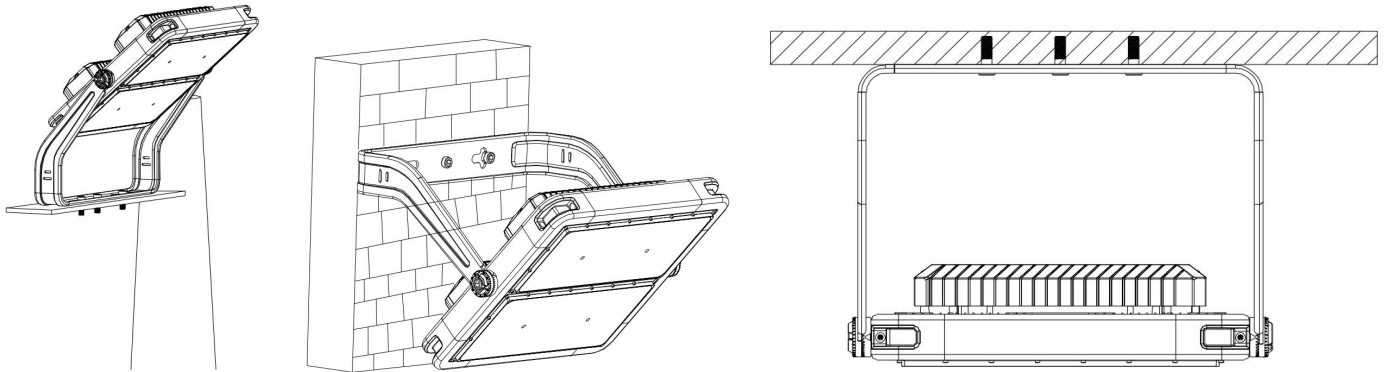


**1250W**

## Package



## Installations



## Installation Requirements

1. Power off before installation, and read the instruction carefully;
2. Make sure the installation material can endure the lamp weight;
3. Please prepare two sets of expansion bolts, and drill holes in the installation body, then install the lamp, finally screw down expansion bolts and bracket screws;
4. Connect lamp wire to match power wire, and seal the joint with insulation;
5. The lamp must be installed reliably to prevent loosening and falling off.

## Notice

1. Please first read the product specification carefully, make sure the using environment conform to specification, then it can be used;
2. Please confirm the input voltage, frequency before use;
3. This product must be installed by professionals;
4. If there is any damage to the power wire or shell of the product, it should be taken as defective product and do not use it;
5. Dangerous high voltage, non-professionals are not allowed to maintain the product;
6. If external soft cable or soft wire of the light is damaged, it should be replaced by manufacturer or service agent or personnel with similar qualification to avoid danger.