



Product Specifications

(KINGKONG LED HIGH MAST LIGHT)



The KingKong LED high mast lights are designed to deliver high lumen packages with precise optical control. The luminaire provides replacement of up to 4000W HID in a form factor that is smaller and lighter allowing safe and easy retrofit of existing systems. Available in 400-1800W versions, the KingKong LED high mast light is a highly versatile sport lighter ideal for arenas, sporting complexes, and professional stadiums.

Features

- Die-cast Aluminum heat sinking: concise appearance, excellent thermal management & compact structure;
- Handlebar design: easy for installation and carry;
- Racked angle: allows for precise installation, up to 270°;
- Bracket & arm: overall flanging and bending design of the cold-rolled plate, light in weight, high in strength and excellent in firmness. Special anti-corrosion treatment to reach the WF2 standard and is suitable for various environments;
- Packed with reputed brand top quality LEDs and power supply to ensure the product reliability and life expectancy, 5 years warranty;
- IP66 structural waterproof design; Double surge protection: driver & extra 10KV SPD;
- Tempered glass cover, achieves IK08 and apply in harsh conditions;
- Professional light distribution with different beam angles for various applications;
- Spill shield to reduce light pollution.

Technical Specifications



Model No.	LGS-GSLKK-400W	LGS-GSLKK-500W	LGS-GSLKK-600W
Power	400W	500W	600W
Lumen Output	60000lm	75000lm	90000lm
Lumen Efficiency	150lm/w		
CCT	3000/4000/5000/5700/6500K		
CRI	Ra>80(Ra>90 optional)		
Chip Brand	Lumileds/Osram		
Beam Angle $\theta/2$	10°/25°/45°/60°/90°/Asymmetric 60°		
Light Decay Rate	Less than 3% in 6,000Hours		
Lifespan	≥50,000Hrs		
Input Voltage	100-240VAC 50/60Hz		
Power Factor	PF>0.95		
THD	<10%		
Driver Brand	Meanwell/Sosen		
Material	Aluminum Housing+Polycarbonate Lens+Tempered Glass		
Degree of Protection	IP66		
Dimensions	718*422*350mm(Maximum projected area 0.3030m ²)		
Net Weight	16KG		
Finish	Black		
Installation	Mounted		
Working Temperature	-30℃~+40℃		
Storage Temperature	-40℃~+70℃		
Certificate	CE, RoHS		
Warranty	5 years		
Optional Functions	0-10V/PWM/DALI/DMX Available on Request		



Model No.	LGS-GSLKK-800W	LGS-GSLKK-1000W	LGS-GSLKK-1200W
Power	800W	1000W	1200W
Lumen Output	120000lm	150000lm	180000lm
Lumen Efficiency	150lm/w		
CCT	3000/4000/5000/5700/6500K		
CRI	Ra>80(Ra>90 optional)		
Chip Brand	Lumileds/Osram		
Beam Angle $\theta/2$	10°/25°/45°/60°/90°/Asymmetric 60°		
Light Decay Rate	Less than 3% in 6,000Hours		
Lifespan	≥50,000Hrs		
Input Voltage	100-240VAC 50/60Hz		
Power Factor	PF>0.95		
THD	<10%		
Driver Brand	Meanwell/Sosen		
Material	Aluminum Housing+Polycarbonate Lens+Tempered Glass		
Degree of Protection	IP66		
Dimensions	732*290*604mm(Maximum projected area 0.4421m ²)		
Net Weight	29KG		
Finish	Black		
Installation	Mounted		
Working Temperature	-30°C~+40°C		
Storage Temperature	-40°C~+70°C		
Certificate	CE, RoHS		
Warranty	5 years		
Optional Functions	0-10V/PWM/DALI/DMX Available on Request		



Model No.	LGS-GSLKK-1500W	LGS-GSLKK-1800W
Power	1500W	1800W
Lumen Output	225000lm	270000lm
Lumen Efficiency	150lm/w	
CCT	3000/4000/5000/5700/6500K	
CRI	Ra>80(Ra>90 optional)	
Chip Brand	Lumileds/Osram	
Beam Angle θ/2	10°/25°/45°/60°/90°/Asymmetric 60°	
Light Decay Rate	Less than 3% in 6,000Hours	
Lifespan	≥50,000Hrs	
Input Voltage	100-240VAC 50/60Hz	
Power Factor	PF>0.95	
THD	<10%	
Driver Brand	Meanwell/Sosen	
Material	Aluminum Housing+Polycarbonate Lens+Tempered Glass	
Degree of Protection	IP66	
Dimensions	732*290*839mm(Maximum projected area 0.6141m ²)	
Net Weight	41KG	
Finish	Black	
Installation	Mounted	
Working Temperature	-30℃~+40℃	
Storage Temperature	-40℃~+70℃	
Certificate	CE, RoHS	
Warranty	5 years	
Optional Functions	0-10V/PWM/DALI/DMX Available on Request	

Key Features

Modular Design: each module has power rating from 400W to 600W, three modules can be combined into 1800W

Die Casting Heat Sink: concise appearance, excellent thermal management & compact structure.

Handlebar Design: easy for installation & carry

Racked Angle: allows for precise installation, up to 270°

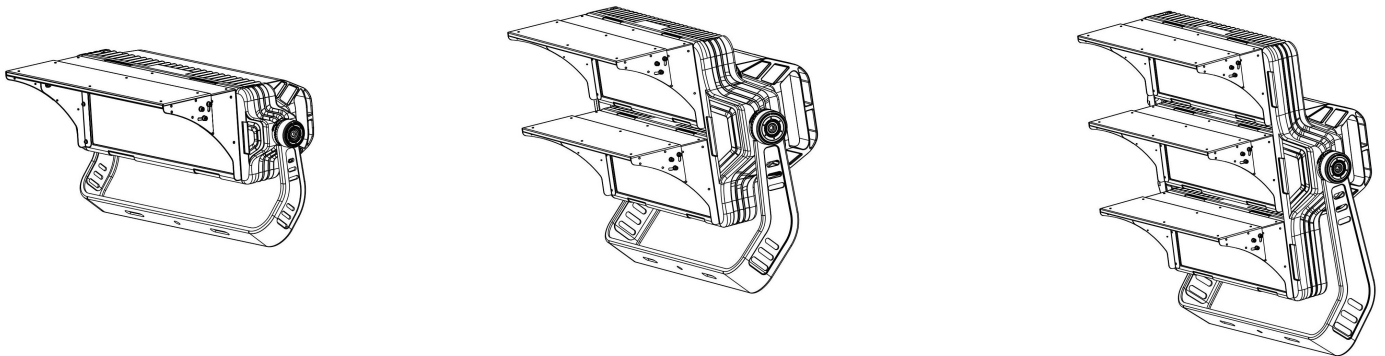
- High-strength cold-rolled plate design with integral flanging and bending, light weight, high mechanical strength
- Special Corrosion Treatment: to reach the WF2 standard and suitable for harsh environments.

Precision Aiming Device.

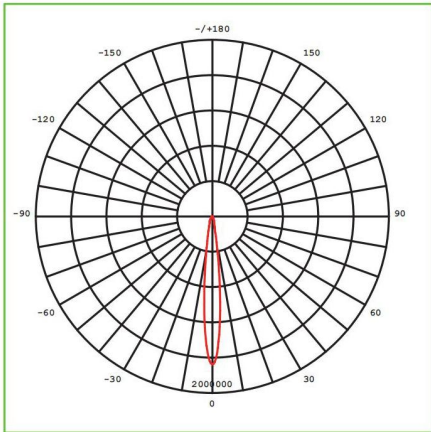


- Tempered Glass Cover: achieve IK08 rating and additional protection to the lens to apply harsh conditions.
- Spill Light Options: reduces light pollution
- Double Surge Protection: driver & extra 10KV SPD

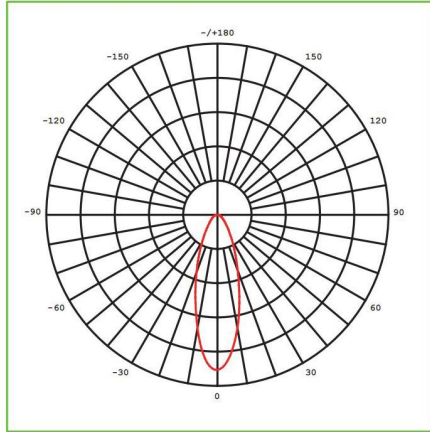
Spill Shield



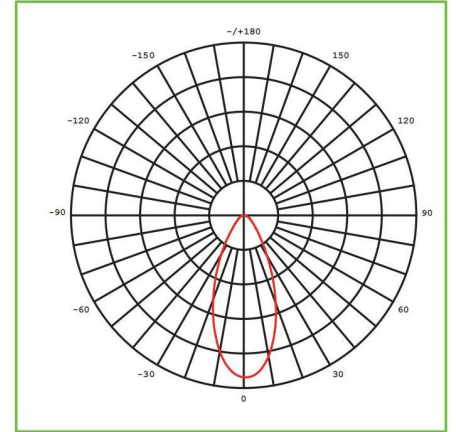
Light Distribution Curves



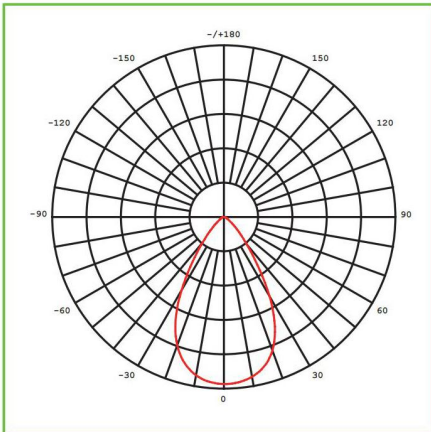
10°



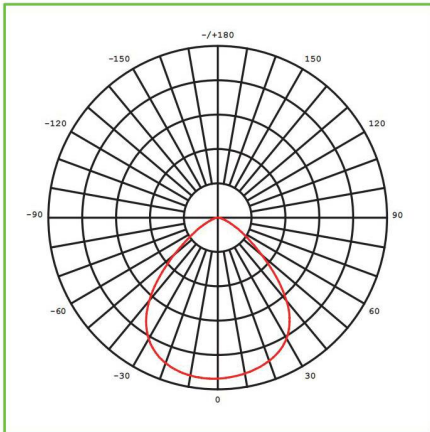
25°



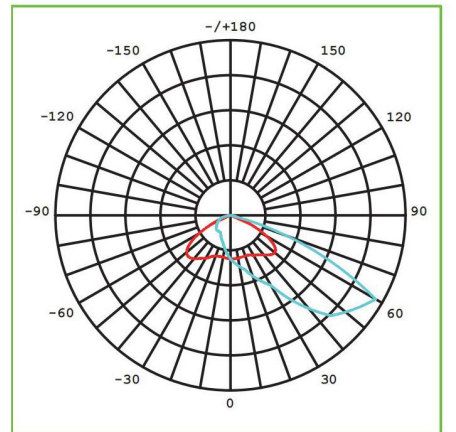
45°



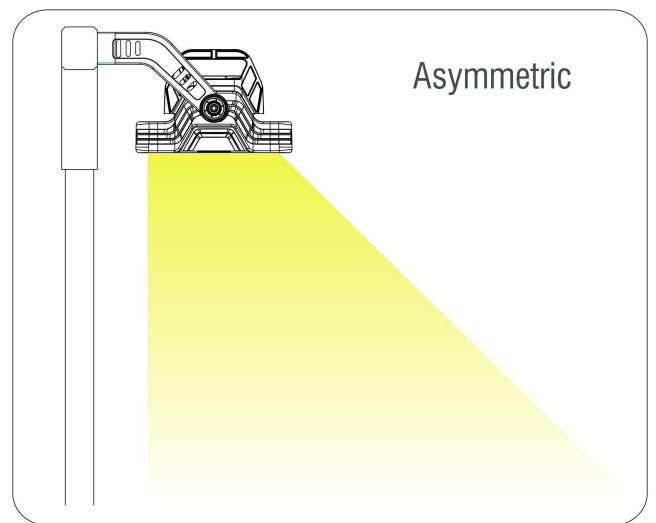
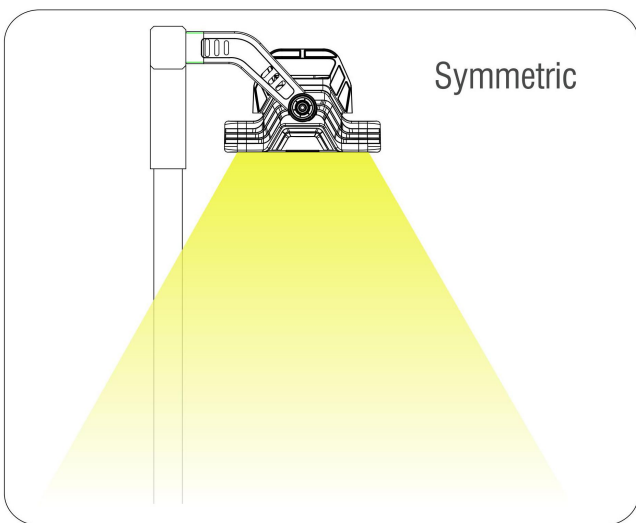
60°



90°



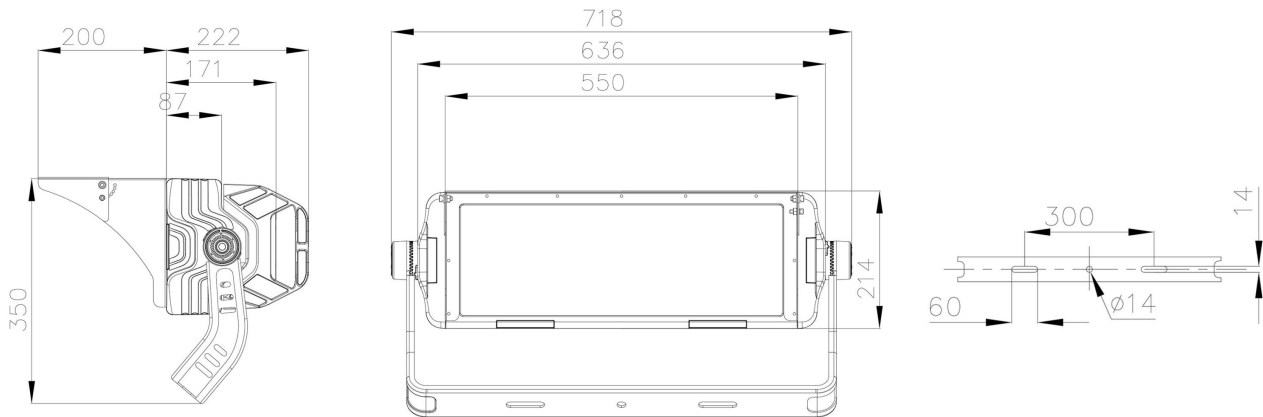
Asymmetric 60°



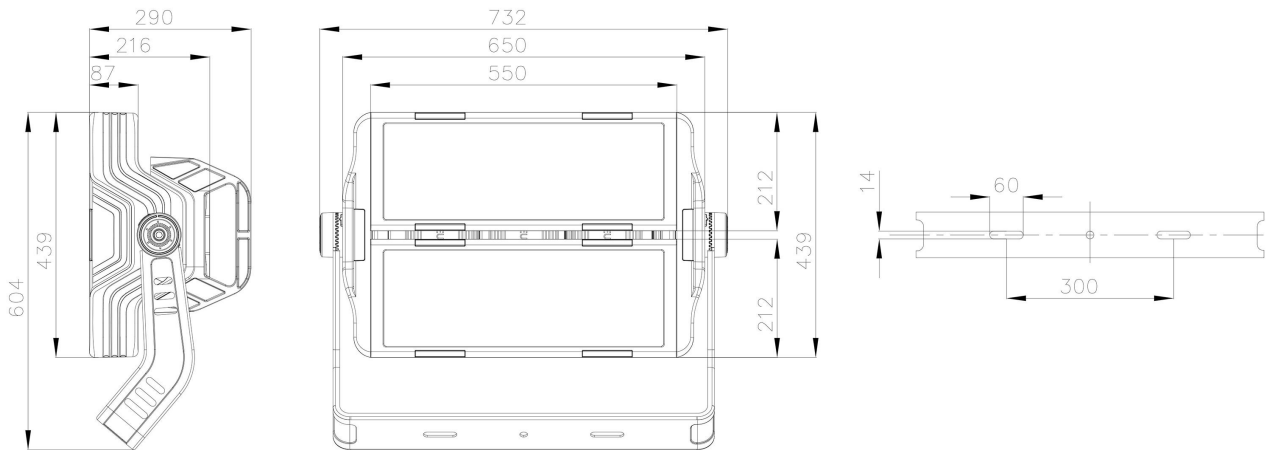
Measures

400-600W

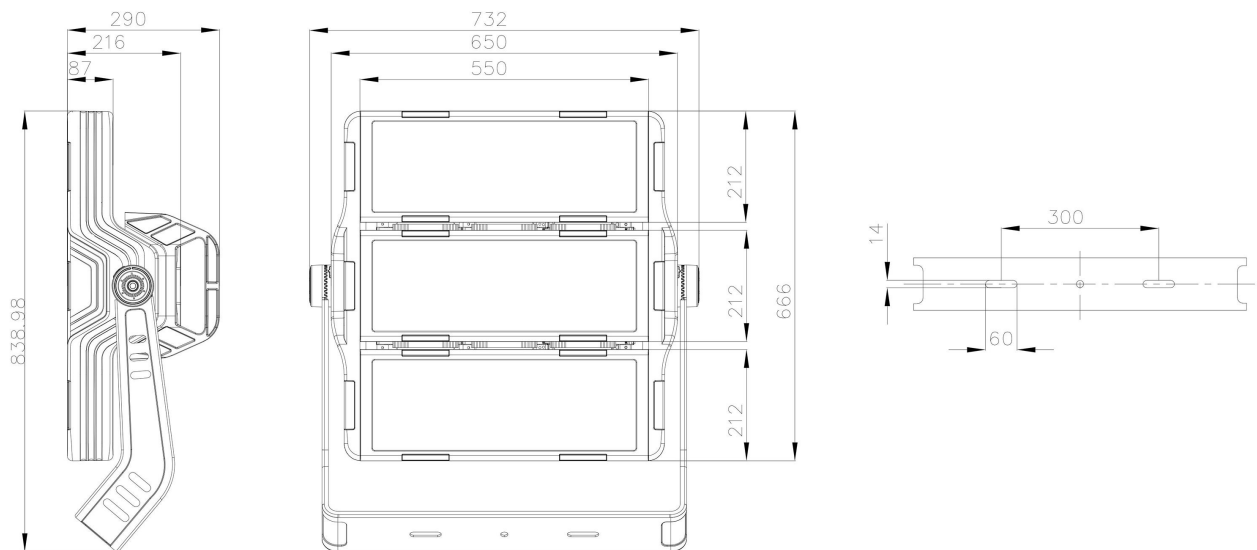
Unit: mm



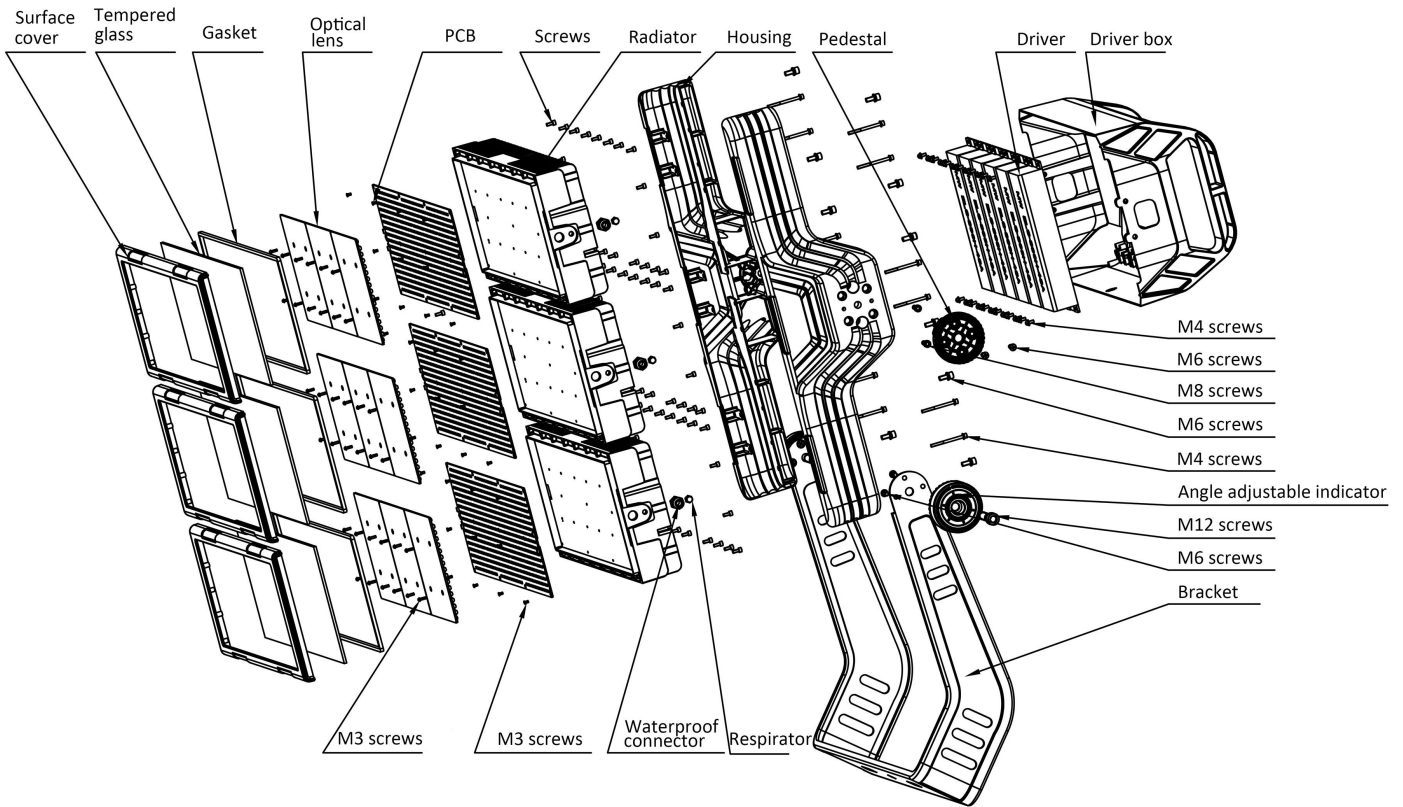
800-1200W



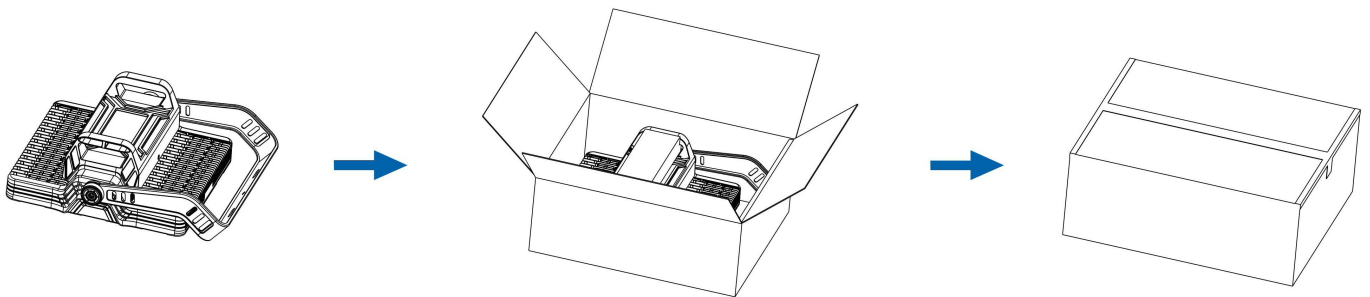
1500-1800W



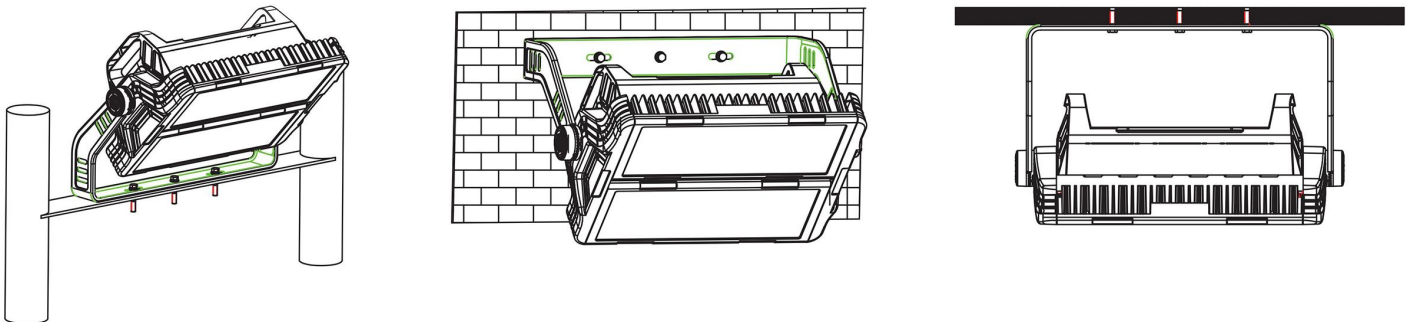
Explosion Drawings



Package



Installations



Installation Requirements

1. Power off before installation, and read the instruction carefully;
2. Make sure the installation material can endure the lamp weight;
3. Please prepare two sets of expansion bolts, and drill holes in the installation body, then install the lamp, finally screw down expansion bolts and bracket screws;
4. Connect lamp wire to match power wire, and seal the joint with insulation;
5. The lamp must be installed reliably to prevent loosening and falling off.

Notice

1. Please first read the product specification carefully, make sure the using environment conform to specification, then it can be used;
2. Please confirm the input voltage, frequency before use;
3. This product must be installed by professionals;
4. If there is any damage to the power wire or shell of the product, it should be taken as defective product and do not use it;
5. Dangerous high voltage, non-professionals are not allowed to maintain the product;
6. If external soft cable or soft wire of the light is damaged, it should be replaced by manufacturer or service agent or personnel with similar qualification to avoid danger;
7. For outdoor use only; The maximum mounting height is 25m above ground level;
8. The light source contained in this luminaire shall only be replaced by the manufacturer or it's service agent or a similar qualified person.

Applications

