



# Product Specifications

## (JUPITER LED HIGH MAST LIGHT)



### Features

- Separate modular design, 200W each modular integrated with driver;
- Use high quality LEDs and power supply to ensure the product reliability and life expectancy, 5 years warranty;
- Die cast aluminum heat sinking, excellent thermal management and compact structure;
- Tempered glass cover available for harsh environments;
- IP66 structural waterproof design.

# Technical Specifications



Product Name		Jupiter LED High Mast Light
Model No.		LGS-HMLJP-200W
<b>Optical</b>	LEDs	Lumileds
	Lumen Output	30000lm ± 10%
	Luminous Efficiency(lm/w)	150lm/w
	Color Temperature(CCT)	2700-6500K
	Color Rendering Index(CRI)	Ra>70(Ra>80 optional)
	Beam Angle θ/2	30°/45°/60°/90°/140°*80°/120°*40°*60°
	Light Decay Rate(%)	Less than 3% in 6,000Hours
	Lifespan(Hrs)	≥50,000Hrs
<b>Electrical</b>	Power Consumption(W)	200W ± 10%
	Input Voltage(V)	100-240Vac / 220-240Vac
	Frequency(Hz)	50/60Hz
	Power Factor(PF)	>0.95
	Start Time(s)	≤0.1s
	Driver Efficiency	>93%
	Total Harmonic Distortion(THD)	<20%
	Driver	Mean Well/Sosen
<b>Mechanical</b>	Material	Aluminum housing+Polycarbonate lens+Tempered glass(Optional)
	Degree of Protection	IP66
	Dimensions(mm)	150*490*140mm
	Net Weight	4.5KG
	Appearance	Black
	Installation	Mounting
	Package	1pcs/CTN
	Gross Weight	5.5KG
	Outer Carton Dimensions(mm)	510*180*170mm
<b>Other</b>	Working Temperature & Humidity	-25°C~+50°C, 10%~90%R.H.
	Storage Temperature & Humidity	-40°C~+70°C, 0%~95%R.H.
	Certificate	CE, RoHS
	Warranty	5 years
	Dimmable	0-10V/PWM/Dali Available



Product Name		Jupiter LED High Mast Light
Model No.		LGS-HMLJP-400W
<b>Optical</b>	LEDs	Lumileds
	Lumen Output	60000lm ± 10%
	Luminous Efficiency(lm/w)	150lm/w
	Color Temperature(CCT)	2700-6500K
	Color Rendering Index(CRI)	Ra>70(Ra>80 optional)
	Beam Angle θ/2	30°/45°/60°/90°/140°*80°/120°*40°*60°
	Light Decay Rate(%)	Less than 3% in 6,000Hours
	Lifespan(Hrs)	≥50,000Hrs
<b>Electrical</b>	Power Consumption(W)	400W ± 10%
	Input Voltage(V)	100-240Vac / 220-240Vac
	Frequency(Hz)	50/60Hz
	Power Factor(PF)	>0.95
	Start Time(s)	≤0.1s
	Driver Efficiency	>93%
	Total Harmonic Distortion(THD)	<20%
	Driver	Mean Well/Sosen
<b>Mechanical</b>	Material	Aluminum housing+Polycarbonate lens+Tempered glass(Optional)
	Degree of Protection	IP66
	Dimensions(mm)	315*490*155mm
	Net Weight	8.5KG
	Appearance	Black
	Installation	Mounting
	Package	1pcs/CTN
	Gross Weight	9.5KG
	Outer Carton Dimensions(mm)	510*350*180mm
<b>Other</b>	Working Temperature & Humidity	-25°C~+50°C, 10%~90%R.H.
	Storage Temperature & Humidity	-40°C~+70°C, 0%~95%R.H.
	Certificate	CE, RoHS
	Warranty	5 years
	Dimmable	0-10V/PWM/Dali Available



Product Name		Jupiter LED High Mast Light
Model No.		LGS-HMLJP-600W
<b>Optical</b>	LEDs	Lumileds
	Lumen Output	90000lm ± 10%
	Luminous Efficiency(lm/w)	150lm/w
	Color Temperature(CCT)	2700-6500K
	Color Rendering Index(CRI)	Ra>70(Ra>80 optional)
	Beam Angle θ/2	30°/45°/60°/90°/140°*80°/120°*40°*60°
	Light Decay Rate(%)	Less than 3% in 6,000Hours
	Lifespan(Hrs)	≥50,000Hrs
<b>Electrical</b>	Power Consumption(W)	600W ± 10%
	Input Voltage(V)	100-240Vac / 220-240Vac
	Frequency(Hz)	50/60Hz
	Power Factor(PF)	>0.95
	Start Time(s)	≤0.1s
	Driver Efficiency	>93%
	Total Harmonic Distortion(THD)	<20%
	Driver	Mean Well/Sosen
<b>Mechanical</b>	Material	Aluminum housing+Polycarbonate lens+Tempered glass(Optional)
	Degree of Protection	IP66
	Dimensions(mm)	428*490*155mm
	Net Weight	12.5KG
	Appearance	Black
	Installation	Mounting
	Package	1pcs/CTN
	Gross Weight	13.5KG
	Outer Carton Dimensions(mm)	510*460*180mm
<b>Other</b>	Working Temperature & Humidity	-25°C~+50°C, 10%~90%R.H.
	Storage Temperature & Humidity	-40°C~+70°C, 0%~95%R.H.
	Certificate	CE, RoHS
	Warranty	5 years
	Dimmable	0-10V/PWM/Dali Available



Product Name		Jupiter LED High Mast Light
Model No.		LGS-HMLJP-800W
Optical	LEDs	Lumileds
	Lumen Output	120000lm ± 10%
	Luminous Efficiency(lm/w)	150lm/w
	Color Temperature(CCT)	2700-6500K
	Color Rendering Index(CRI)	Ra>70(Ra>80 optional)
	Beam Angle θ/2	30°/45°/60°/90°/140°*80°/120°*40°*60°
	Light Decay Rate(%)	Less than 3% in 6,000Hours
	Lifespan(Hrs)	≥50,000Hrs
Electrical	Power Consumption(W)	800W ± 10%
	Input Voltage(V)	100-240Vac / 220-240Vac
	Frequency(Hz)	50/60Hz
	Power Factor(PF)	>0.95
	Start Time(s)	≤0.1s
	Driver Efficiency	>93%
	Total Harmonic Distortion(THD)	<20%
	Driver	Mean Well/Sosen
Mechanical	Material	Aluminum housing+Polycarbonate lens+Tempered glass(Optional)
	Degree of Protection	IP66
	Dimensions(mm)	555*490*155mm
	Net Weight	16KG
	Appearance	Black
	Installation	Mounting
	Package	1pcs/CTN
	Gross Weight	17.5KG
	Outer Carton Dimensions(mm)	510*580*180mm
Other	Working Temperature & Humidity	-25°C~+50°C, 10%~90%R.H.
	Storage Temperature & Humidity	-40°C~+70°C, 0%~95%R.H.
	Certificate	CE, RoHS
	Warranty	5 years
	Dimmable	0-10V/PWM/Dali Available



Product Name		Jupiter LED High Mast Light
Model No.		LGS-HMLJP-1000W
<b>Optical</b>	LEDs	Lumileds
	Lumen Output	150000lm $\pm$ 10%
	Luminous Efficiency(lm/w)	150lm/w
	Color Temperature(CCT)	2700-6500K
	Color Rendering Index(CRI)	Ra>70(Ra>80 optional)
	Beam Angle $\theta/2$	30°/45°/60°/90°/140°*80°/120°*40°*60°
	Light Decay Rate(%)	Less than 3% in 6,000Hours
	Lifespan(Hrs)	$\geq$ 50,000Hrs
<b>Electrical</b>	Power Consumption(W)	1000W $\pm$ 10%
	Input Voltage(V)	100-240Vac / 220-240Vac
	Frequency(Hz)	50/60Hz
	Power Factor(PF)	>0.95
	Start Time(s)	$\leq$ 0.1s
	Driver Efficiency	>93%
	Total Harmonic Distortion(THD)	<20%
	Driver	Mean Well/Sosen
<b>Mechanical</b>	Material	Aluminum housing+Polycarbonate lens+Tempered glass(Optional)
	Degree of Protection	IP66
	Dimensions(mm)	668*490*155mm
	Net Weight	20.5KG
	Appearance	Black
	Installation	Mounting
	Package	1pcs/CTN
	Gross Weight	22KG
	Outer Carton Dimensions(mm)	510*700*180mm
<b>Other</b>	Working Temperature & Humidity	-25°C~+50°C, 10%~90%R.H.
	Storage Temperature & Humidity	-40°C~+70°C, 0%~95%R.H.
	Certificate	CE, RoHS
	Warranty	5 years
	Dimmable	0-10V/PWM/Dali Available

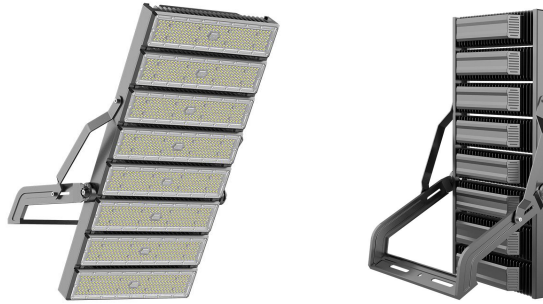


Product Name		Jupiter LED High Mast Light
Model No.		LGS-HMLJP-1200W
<b>Optical</b>	LEDs	Lumileds
	Lumen Output	180000lm ± 10%
	Luminous Efficiency(lm/w)	150lm/w
	Color Temperature(CCT)	2700-6500K
	Color Rendering Index(CRI)	Ra>70(Ra>80 optional)
	Beam Angle θ/2	30°/45°/60°/90°/140°*80°/120°*40°*60°
	Light Decay Rate(%)	Less than 3% in 6,000Hours
	Lifespan(Hrs)	≥50,000Hrs
<b>Electrical</b>	Power Consumption(W)	1200W ± 10%
	Input Voltage(V)	100-240Vac / 220-240Vac
	Frequency(Hz)	50/60Hz
	Power Factor(PF)	>0.95
	Start Time(s)	≤0.1s
	Driver Efficiency	>93%
	Total Harmonic Distortion(THD)	<20%
	Driver	Mean Well/Sosen
<b>Mechanical</b>	Material	Aluminum housing+Polycarbonate lens+Tempered glass(Optional)
	Degree of Protection	IP66
	Dimensions(mm)	776*490*155mm
	Net Weight	25.5KG
	Appearance	Black
	Installation	Mounting
	Package	1pcs/CTN
	Gross Weight	27KG
	Outer Carton Dimensions(mm)	550*800*180mm
<b>Other</b>	Working Temperature & Humidity	-25°C~+50°C, 10%~90%R.H.
	Storage Temperature & Humidity	-40°C~+70°C, 0%~95%R.H.
	Certificate	CE, RoHS
	Warranty	5 years
	Dimmable	0-10V/PWM/Dali Available



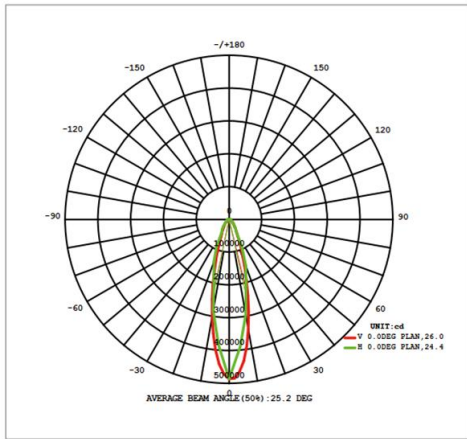
Product Name		Jupiter LED High Mast Light
Model No.		LGS-HMLJP-1400W
<b>Optical</b>	LEDs	Lumileds
	Lumen Output	210000lm $\pm$ 10%
	Luminous Efficiency(lm/w)	150lm/w
	Color Temperature(CCT)	2700-6500K
	Color Rendering Index(CRI)	Ra>70(Ra>80 optional)
	Beam Angle $\theta/2$	30°/45°/60°/90°/140°*80°/120°*40°*60°
	Light Decay Rate(%)	Less than 3% in 6,000Hours
	Lifespan(Hrs)	$\geq$ 50,000Hrs
<b>Electrical</b>	Power Consumption(W)	1400W $\pm$ 10%
	Input Voltage(V)	100-240Vac / 220-240Vac
	Frequency(Hz)	50/60Hz
	Power Factor(PF)	>0.95
	Start Time(s)	$\leq$ 0.1s
	Driver Efficiency	>93%
	Total Harmonic Distortion(THD)	<20%
	Driver	Mean Well/Sosen
<b>Mechanical</b>	Material	Aluminum housing+Polycarbonate lens+Tempered glass(Optional)
	Degree of Protection	IP66
	Dimensions(mm)	889*490*155mm
	Net Weight	29KG
	Appearance	Black
	Installation	Mounting
	Package	1pcs/CTN
	Gross Weight	30.5KG
	Outer Carton Dimensions(mm)	550*930*180mm
<b>Other</b>	Working Temperature & Humidity	-25°C~+50°C, 10%~90%R.H.
	Storage Temperature & Humidity	-40°C~+70°C, 0%~95%R.H.
	Certificate	CE, RoHS
	Warranty	5 years
	Dimmable	0-10V/PWM/Dali Available



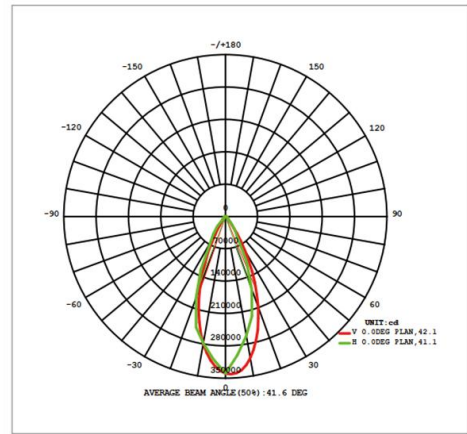


Product Name		Jupiter LED High Mast Light
Model No.		LGS-HMLJP-1600W
<b>Optical</b>	LEDs	Lumileds
	Lumen Output	240000lm ± 10%
	Luminous Efficiency(lm/w)	150lm/w
	Color Temperature(CCT)	2700-6500K
	Color Rendering Index(CRI)	Ra>70(Ra>80 optional)
	Beam Angle θ/2	30°/45°/60°/90°/140°*80°/120°*40°*60°
	Light Decay Rate(%)	Less than 3% in 6,000Hours
	Lifespan(Hrs)	≥50,000Hrs
<b>Electrical</b>	Power Consumption(W)	1600W ± 10%
	Input Voltage(V)	100-240Vac / 220-240Vac
	Frequency(Hz)	50/60Hz
	Power Factor(PF)	>0.95
	Start Time(s)	≤0.1s
	Driver Efficiency	>93%
	Total Harmonic Distortion(THD)	<20%
	Driver	Mean Well/Sosen
<b>Mechanical</b>	Material	Aluminum housing+Polycarbonate lens+Tempered glass(Optional)
	Degree of Protection	IP66
	Dimensions(mm)	1020*490*155mm
	Net Weight	33KG
	Appearance	Black
	Installation	Mounting
	Package	1pcs/CTN
	Gross Weight	34.5KG
	Outer Carton Dimensions(mm)	570*1050*180mm
<b>Other</b>	Working Temperature & Humidity	-25°C~+50°C, 10%~90%R.H.
	Storage Temperature & Humidity	-40°C~+70°C, 0%~95%R.H.
	Certificate	CE, RoHS
	Warranty	5 years
	Dimmable	0-10V/PWM/Dali Available

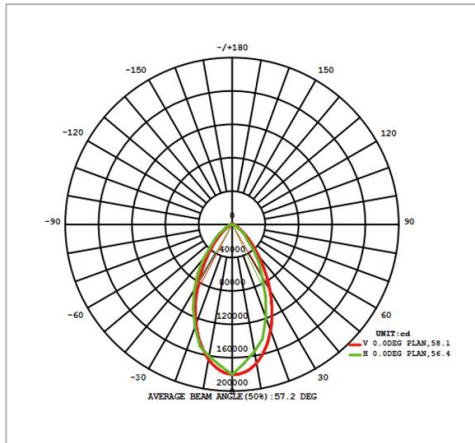
# Light Distribution Curves



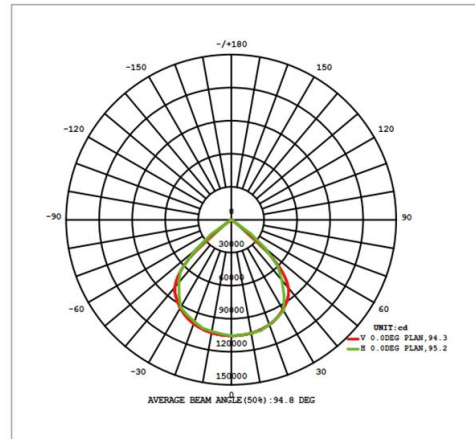
30°



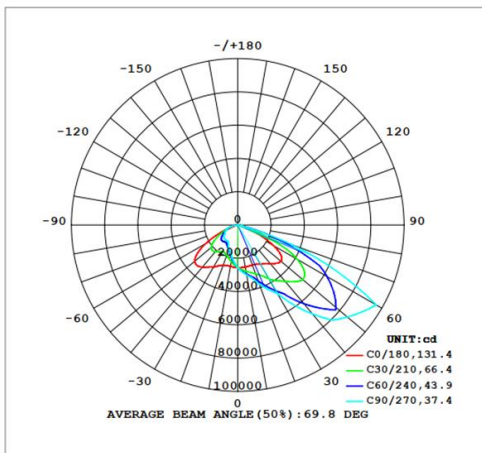
45°



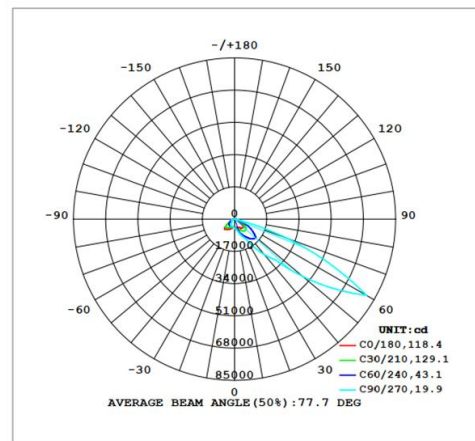
60°



90°



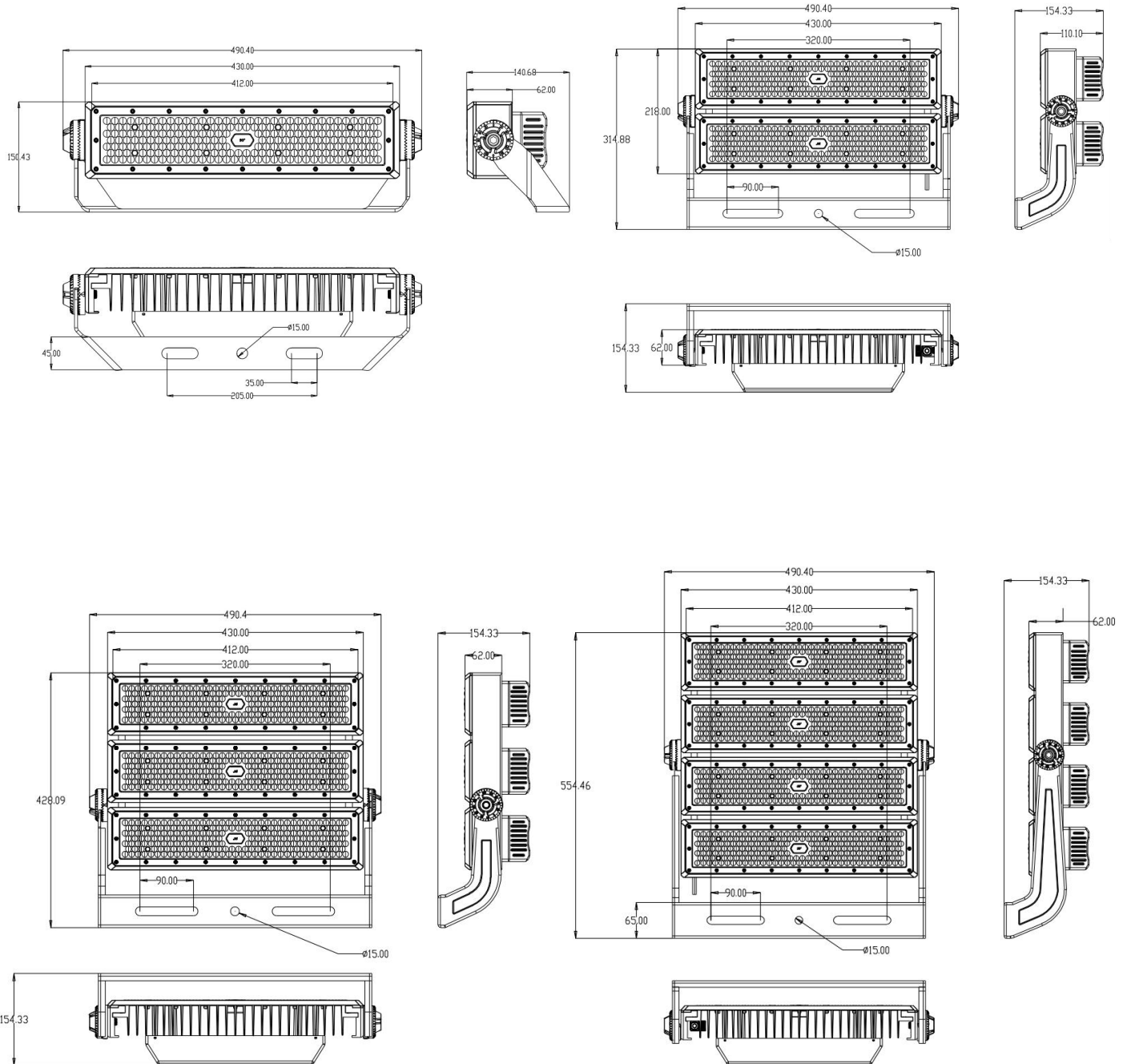
140\*80°

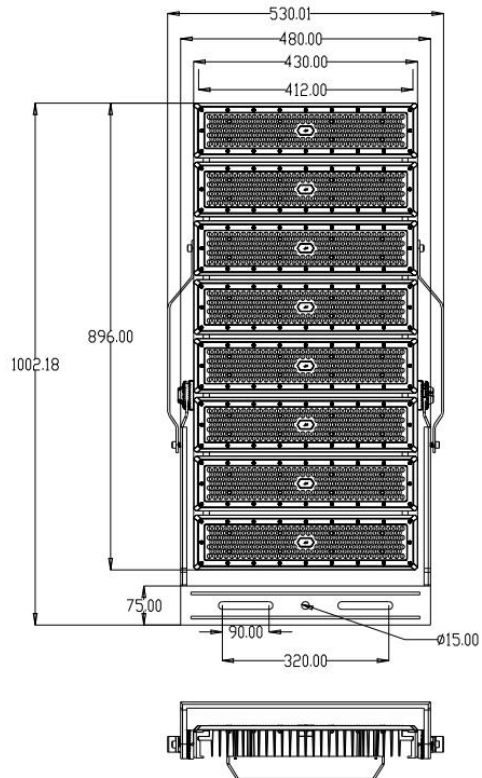
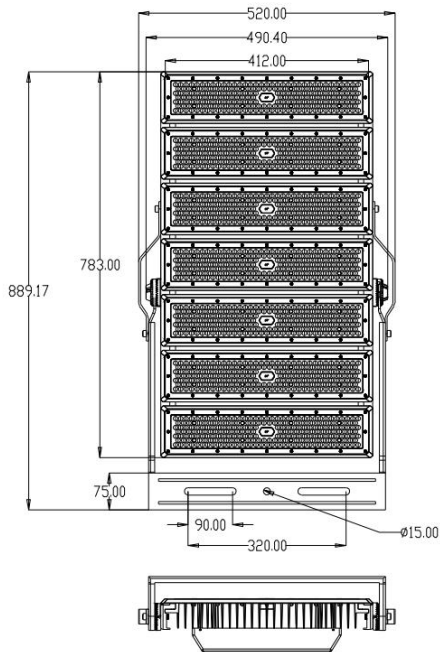
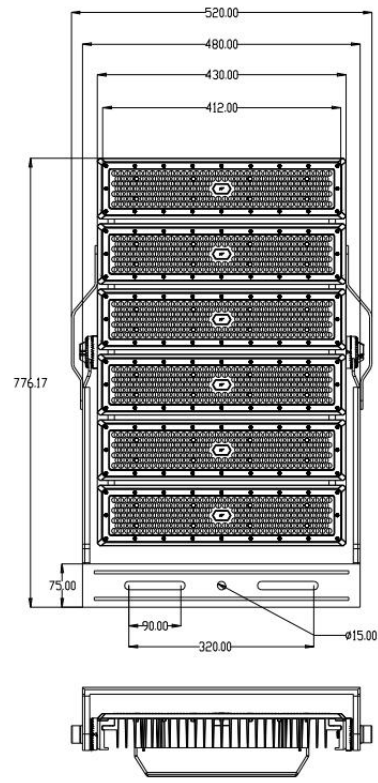
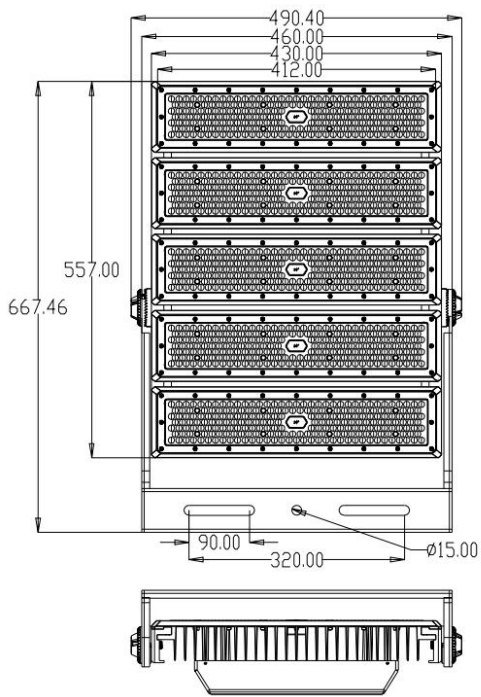


120°\*40°\*60°

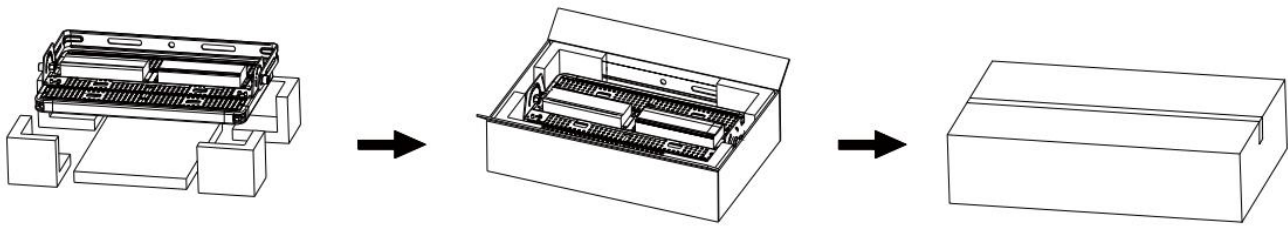
# Dimensions and Drawings

Unit: mm

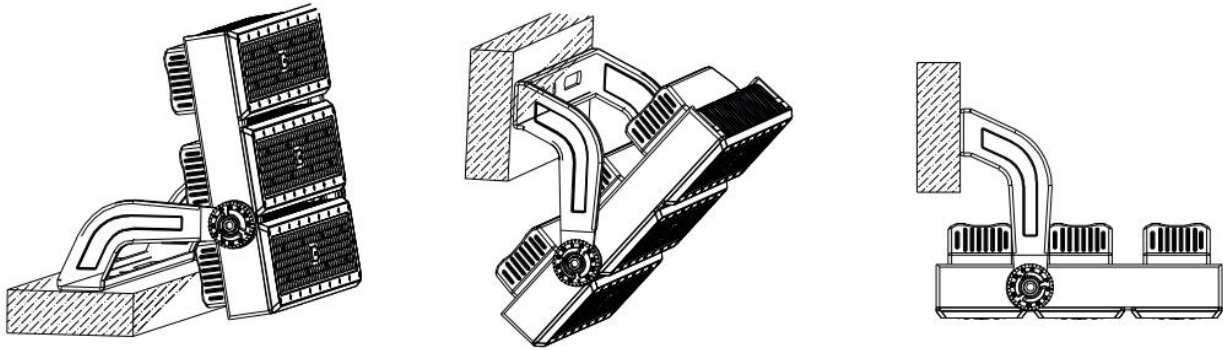




## Package



## Installations



## Installation Requirements

1. Power off before installation, and read the instruction carefully;
2. Make sure the installation material can endure the lamp weight;
3. Please prepare two sets of expansion bolts, and drill holes in the installation body, then install the lamp, finally screw down expansion bolts and bracket screws;
4. Connect lamp wire to match power wire, and seal the joint with insulation;
5. The lamp must be installed reliably to prevent loosening and falling off.

## Notice

1. Please first read the product specification carefully, make sure the using environment conform to specification, then it can be used;
2. Please confirm the input voltage, frequency before use;
3. This product must be installed by professionals;
4. If there is any damage to the power wire or shell of the product, it should be taken as defective product and do not use it;
5. Dangerous high voltage, non-professionals are not allowed to maintain the product;
6. If external soft cable or soft wire of the light is damaged, it should be replaced by manufacturer or service agent or personnel with similar qualification to avoid danger.