



# Product Specifications

## (AURIGA LED HIGH MAST LIGHT)



The Auriga LED High Mast Light is a superior lighting solution designed for extensive outdoor applications. Featuring die-cast aluminum heat sinking, it ensures excellent thermal management within a compact structure. This high mast light stands out with its separate modular design, where each module can be rotated independently for precise light control. Equipped with top-quality LEDs and power supply, it offers a 5-year warranty, ensuring long-term reliability and performance. The anti-UV optical lens provides professional light distribution, adaptable through various beam angles. Additionally, it includes a spill shield to minimize light pollution and boasts an IP66 waterproof rating, making it perfect for any environment demanding robust, controlled illumination.

## Features

- Die-cast Aluminum heat sinking, excellent thermal management & compact structure;
- Separate modular design, each module is rotatable separately for precise light control;
- Packed with reputed brand top quality LEDs and power supply to ensure the product reliability and life expectancy, 5 years warranty;
- Anti UV optical lens, light transmittance > 94%, professional light distribution with different beam angles optional for various applications;
- Spill shield to reduce light pollution;
- IP66 structural waterproof design.

# Technical Specifications

Model No.	LGS-GSAU-250W	LGS-GSAU-500W	LGS-GSAU-750W	LGS-GSAU-1000W	LGS-GSAU-1250W	LGS-GSAU-1500W
Power	250W	500W	750W	1000W	1250W	1500W
Lumen Output	37,500lm	75,000lm	112,500lm	150,000lm	187,500lm	225,000lm
Lumen Efficiency	150lm/w					
CCT	3000/4000/5000/5700/6500K					
CRI	Ra>80(Ra>90 optional)					
Chip Brand	Lumileds 5050 / Cree 3535(for 10°)					
Beam Angle $\theta/2$	10°/20°/40°/60°/90°/Asymmetric 50°					
Light Decay Rate	Less than 3% in 6,000Hours					
Lifespan	≥50,000Hrs					
Input Voltage	100-240VAC 50/60Hz					
Power Factor	PF>0.95					
THD	<15%					
Driver Brand	Meanwell/Sosen/Philips					
Material	Aluminum Housing+Polycarbonate Lens					
Degree of Protection	IP66					
Dimensions	200*590*190mm	280*630*405mm	435*630*405mm	590*630*405mm	745*630*405mm	900*630*405mm
Net Weight	6.2KG	13.8KG	19.2KG	24.8KG	30.2KG	35.8KG
Gross Weight	7.5KG	15.2KG	21.8KG	26.5KG	31.8KG	37.5KG
Package	255*645*240mm	390*645*275mm	545*645*275mm	700*645*275mm	855*645*275mm	1010*645*275mm
Finish	Black					
Installation	Mounted					
Working Temperature	-30℃~+50℃					
Storage Temperature	-40℃~+70℃					
Certificate	CE, RoHS					
Warranty	5 years					
Optional Functions	0-10V/PWM/DALI/DMX Available on Request					

## Features



Die-cast Aluminum heat sinking: Excellent thermal management & compact structure



LED module can be adjustable to up and down

Module design, each module is rotatable separately for precise light control

Racked angle: allows for precise installation, up to 270°



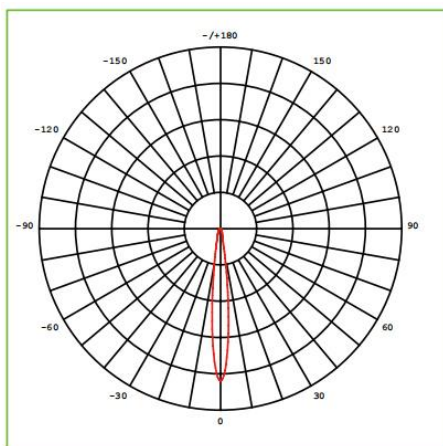
Spill shield to reduce light pollution

High brightness branded SMD5050 LED chip, up to 150lm/w

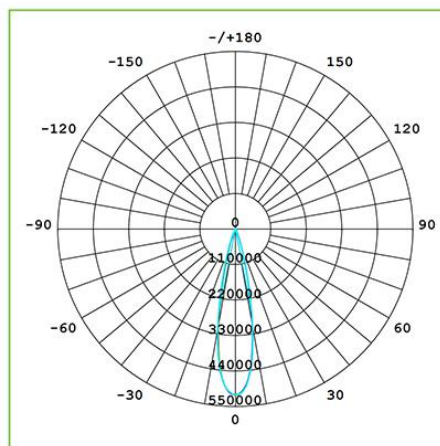
Photometry symmetrical 10°/20°/40°/60°/90°/asymmetric 50°

High strength polycarbonate optical lens: realize in IK10

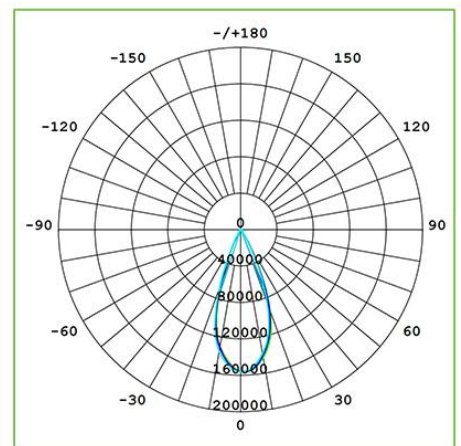
## Light Distribution Curves



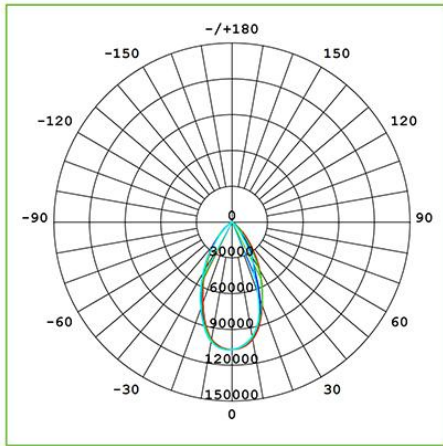
10°



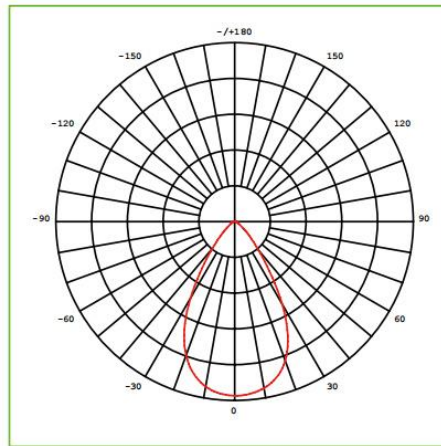
20°



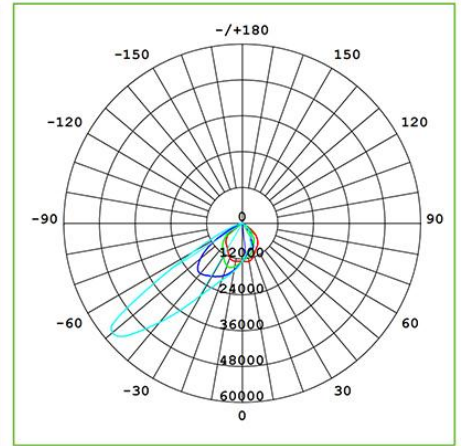
40°



60°



90°

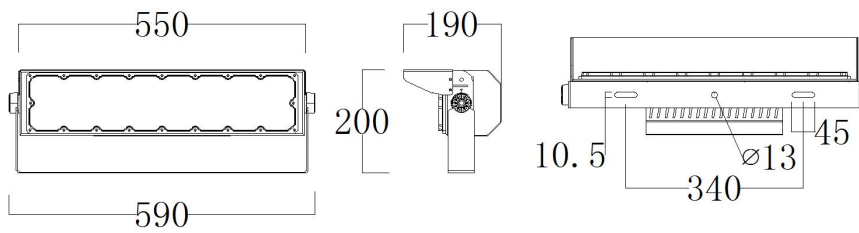


Asymmetric 50°

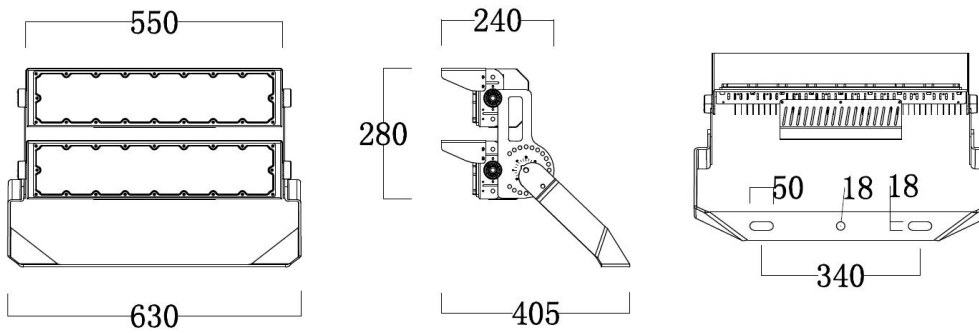
## Dimensions and Drawings

Unit: mm

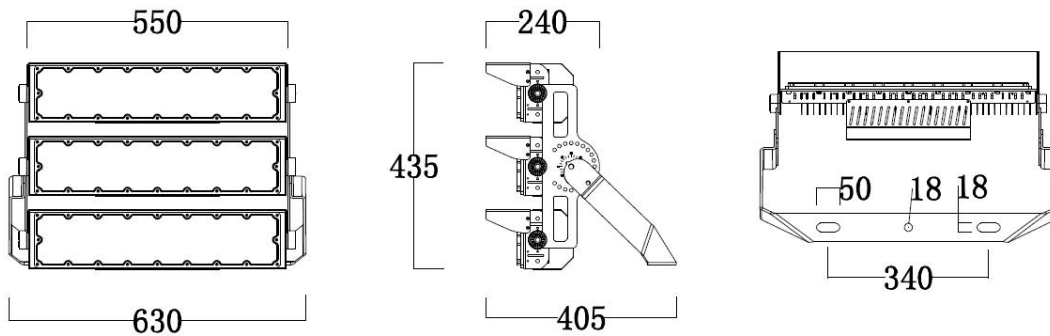
### 250W



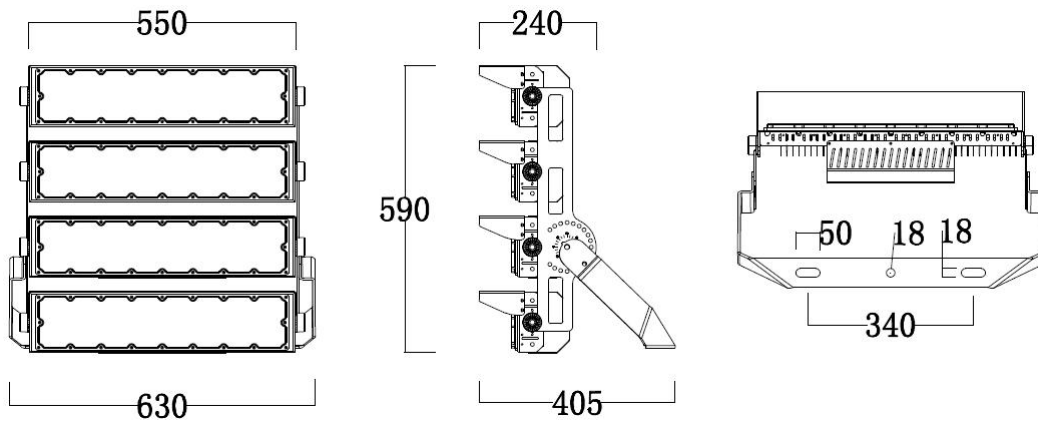
### 500W



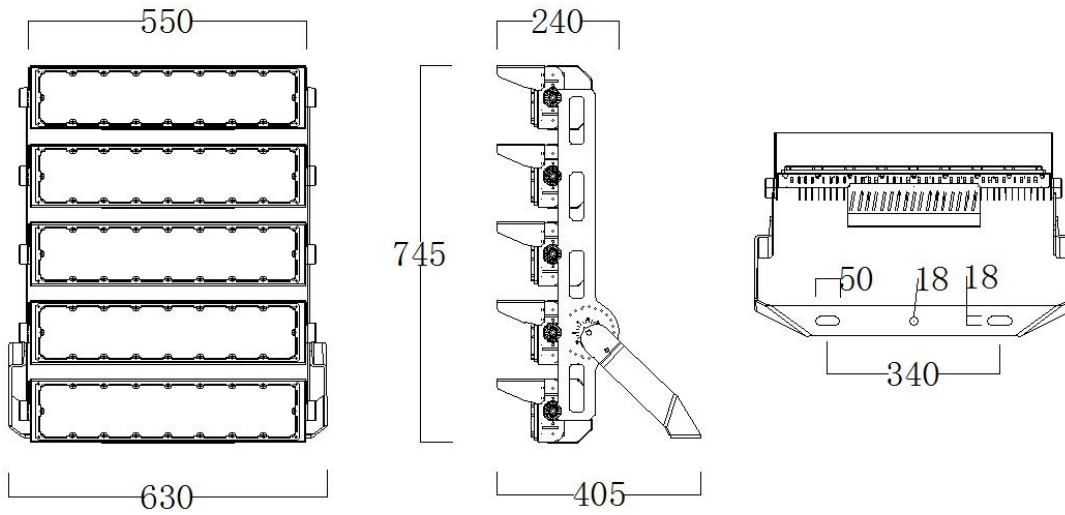
### 750W



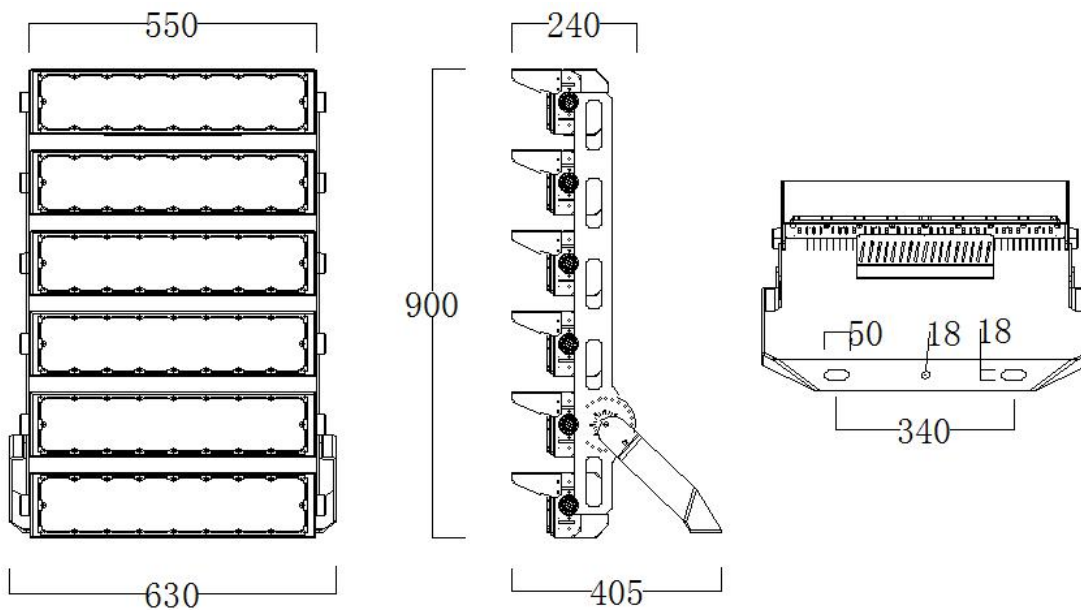
1000W



1250W



1500W



## Installation Requirements

1. Power off before installation, and read the instruction carefully;
2. Make sure the installation material can endure the lamp weight;
3. Please prepare two sets of expansion bolts, and drill holes in the installation body, then install the lamp, finally screw down expansion bolts and bracket screws;
4. Connect lamp wire to match power wire, and seal the joint with insulation;
5. The lamp must be installed reliably to prevent loosening and falling off.

## Notice

1. Please first read the product specification carefully, make sure the using environment conform to specification, then it can be used;
2. Please confirm the input voltage, frequency before use;
3. This product must be installed by professionals;
4. If there is any damage to the power wire or shell of the product, it should be taken as defective product and do not use;
5. Dangerous high voltage, non-professionals are not allowed to maintain the product;
6. If external soft cable or soft wire of the light is damaged, it should be replaced by manufacturer or service agent or personnel with similar qualification to avoid danger.

## Applications

