



Product Specifications

(CYGNUS LED VAPOR LIGHT)



The Cygnus LED Vapor Light is a standout choice for both industrial and commercial lighting needs, thanks to its robust design and advanced features. It features a strong polycarbonate body complemented by an aluminum heat-sinking interior, ensuring both high impact and UV resistance. This combination not only enhances its durability but also extends its lifespan, making it a reliable lighting solution.

Ideal for various applications, this light is particularly well-suited for challenging environments. With an IP65 rating, it is adept at handling both dust and water exposure, ensuring consistent performance in demanding conditions. The Cygnus LED Vapor Light exemplifies the perfect blend of energy efficiency, high performance, and long-lasting quality in lighting technology.

Features

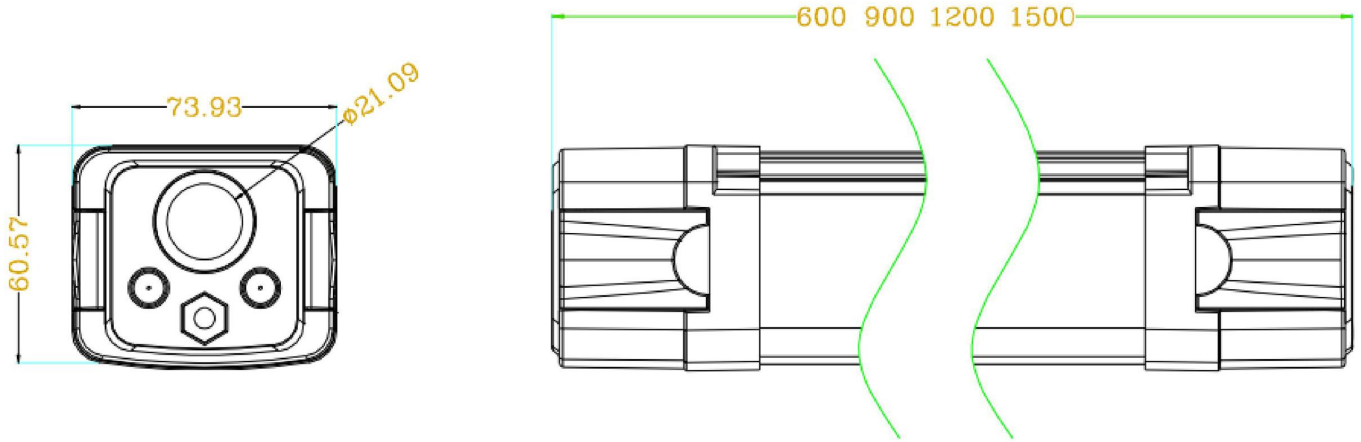
- Polycarbonate body and diffuser, aluminum heat sinking inside, high impact resistance, UV resistance;
- Adopt dust and waterproof structure design, protection level IP65;
- Packed with top reputed branded LEDs and power supply, to ensure the product reliability and life expectancy;
- Fast and easy installation to replace existing lighting fixtures;
- Long lifetime over 50,000 hours, 5 years warranty.

Technical Specifications

Model No.	LGS-TPLCN-06-20W	LGS-TPLCN-09-30W	LGS-TPLCN-12-40W	LGS-TPLCN-15-50W
Power	20W	30W	40W	50W
Lumen Output	2,800lm	4,200lm	5,600lm	7,000lm
Lumen Efficiency	140lm/w			
CCT	3000/4000/5000/5700/6500K			
CRI	Ra>80(Ra>90 on request)			
Light Decay Rate	Less than 3% in 6,000Hours			
Lifespan	≥50,000Hrs			
Input Voltage	220-240Vac/100-277Vac 50/60Hz			
Power Factor	PF>0.95			
THD	<15%			
Driver Brand	Philips/Osram/ZY			
Material	Polycarbonate housing+Polycarbonate diffuser+Aluminum heat sinking			
Degree of Protection	IP65			
Dimensions	L600*W74*H61mm	L900*W74*H61mm	L1200*W74*H61mm	L1500*W74*H61mm
Appearance	White			
Installation	Mounted/Suspended			
Working Temperature	-30℃~+50℃			
Storage Temperature	-40℃~+70℃			
Certificate	CE, RoHS			
Warranty	5 years			
Optional Functions	Dimming on Request			

Dimensions and Drawings

Unit: mm

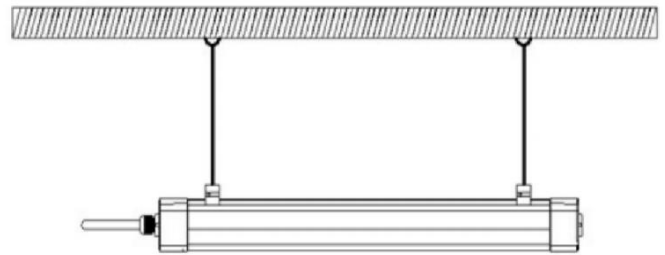


Installations

Surface Mounted



Suspended



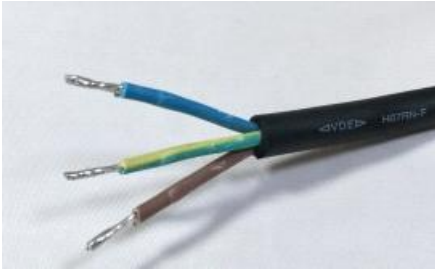
Ceiling Mounted Bracket



Suspension Wire Kits

Installation accessories
SUS304 Stainless Steel

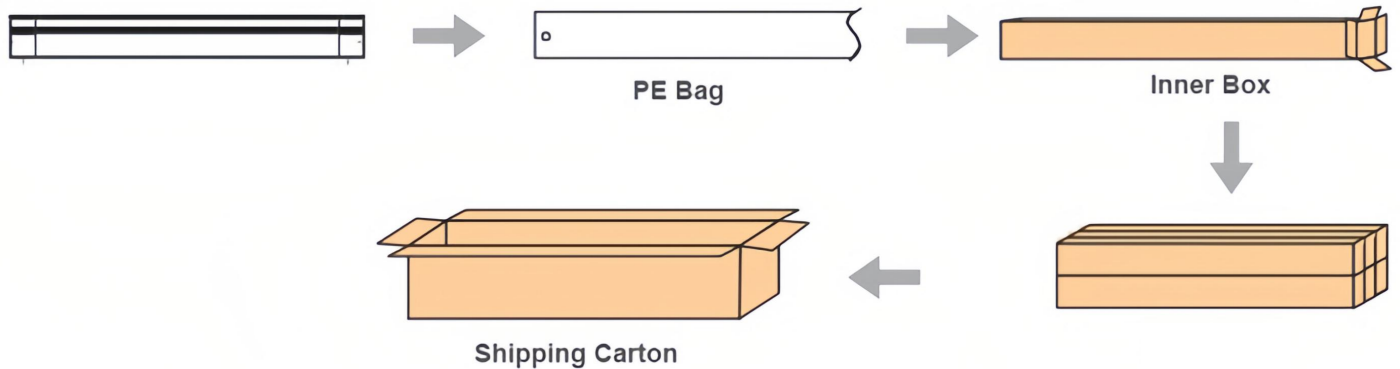
Wiring Diagram



VDE Approval rubber cable

Item code	3 core cables
L	Brown
N	Blue
GND	Yellow/Green

Package



Installation Requirements

1. Power off before installation, and read the instruction carefully;
2. Make sure the installation material can endure the lamp weight;
3. Connect lamp wire to match power wire, and seal the joint with insulation;
4. No matter which kind of installation method, the lamp must be installed reliably to prevent loosening and falling off.

Notice

1. Please first read the product specification carefully, make sure the using environment conform to specification, then it can be used;
2. Please confirm the input voltage, frequency before use;
3. This product must be installed by professionals;
4. If there is any damage to the power wire or shell of the product, it should be taken as defective product and do not use it;
5. Dangerous high voltage, non-professionals are not allowed to maintain the product;
6. If external soft cable or soft wire of the light is damaged, it should be replaced by manufacturer or service agent or personnel with similar qualification to avoid danger.

Applications

LED vapor lights are mostly used to public lighting, commercial lighting and industrial lighting applications:

- Underfloor cars parking lot
- Supermarkets, shops, hotels
- Stockrooms, warehouses, workshops
- Airport/Train/Bus station waiting rooms, etc

