



Product Specifications

(AURIGA LED HIGH MAST LIGHT)



The Auriga LED High Mast Light is a superior lighting solution designed for extensive outdoor applications. Featuring die-cast aluminum heat sinking, it ensures excellent thermal management within a compact structure. This high mast light stands out with its separate modular design, where each module can be rotated independently for precise light control. Equipped with top-quality LEDs and power supply, it offers a 5-year warranty, ensuring long-term reliability and performance. The anti-UV optical lens provides professional light distribution, adaptable through various beam angles. Additionally, it includes a spill shield to minimize light pollution and boasts an IP66 waterproof rating, making it perfect for any environment demanding robust, controlled illumination.

Features

- Die-cast Aluminum heat sinking, excellent thermal management & compact structure;
- Separate modular design, each module is rotatable separately for precise light control;
- Packed with reputed brand top quality LEDs and power supply to ensure the product reliability and life expectancy, 5 years warranty;
- Anti UV optical lens, light transmittance > 94%, professional light distribution with different beam angles optional for various applications;
- Spill shield to reduce light pollution;
- IP66 structural waterproof design.

Technical Specifications

Model No.	LGS-GSAU-250W	LGS-GSAU-500W	LGS-GSAU-750W	LGS-GSAU-1000W	LGS-GSAU-1250W	LGS-GSAU-1500W
Power	250W	500W	750W	1000W	1250W	1500W
Lumen Output	37,500lm	75,000lm	112,500lm	150,000lm	187,500lm	225,000lm
Lumen Efficiency	150lm/w					
CCT	3000/4000/5000/5700/6500K					
CRI	Ra>80(Ra>90 optional)					
Chip Brand	Lumileds 5050 / Cree 3535(for 10°)					
Beam Angle $\theta/2$	10°/20°/40°/60°/90°/Asymmetric 50°					
Light Decay Rate	Less than 3% in 6,000Hours					
Lifespan	≥50,000Hrs					
Input Voltage	100-240VAC 50/60Hz					
Power Factor	PF>0.95					
THD	<15%					
Driver Brand	Meanwell/Sosen/Philips					
Material	Aluminum Housing+Polycarbonate Lens					
Degree of Protection	IP66					
Dimensions	200*590*190mm	280*630*405mm	435*630*405mm	590*630*405mm	745*630*405mm	900*630*405mm
Net Weight	6.2KG	13.8KG	19.2KG	24.8KG	30.2KG	35.8KG
Gross Weight	7.5KG	15.2KG	21.8KG	26.5KG	31.8KG	37.5KG
Package	255*645*240mm	390*645*275mm	545*645*275mm	700*645*275mm	855*645*275mm	1010*645*275mm
Finish	Black					
Installation	Mounted					
Working Temperature	-30℃~+50℃					
Storage Temperature	-40℃~+70℃					
Certificate	CE, RoHS					
Warranty	5 years					
Optional Functions	0-10V/PWM/DALI/DMX Available on Request					

Features



Die-cast Aluminum heat sinking: Excellent thermal management & compact structure



LED module can be adjustable to up and down

Module design, each module is rotatable separately for precise light control

Racked angle: allows for precise installation, up to 270°



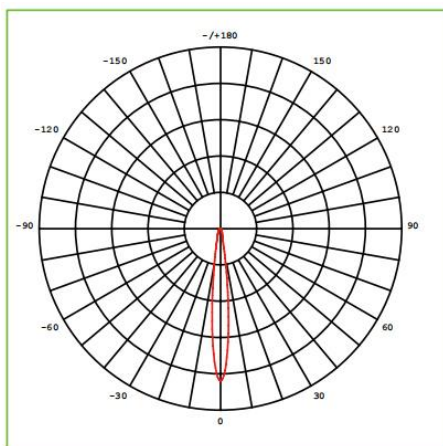
Spill shield to reduce light pollution

High brightness branded SMD5050 LED chip, up to 150lm/w

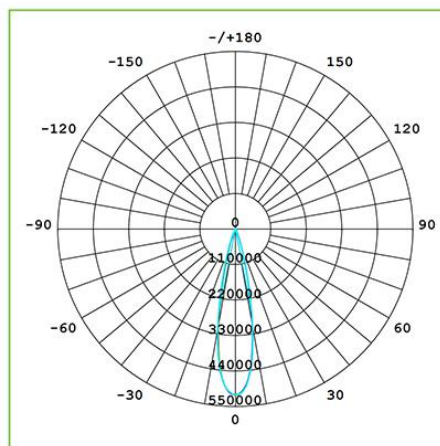
Photometry symmetrical 10°/20°/40°/60°/90°/asymmetric 50°

High strength polycarbonate optical lens: realize in IK10

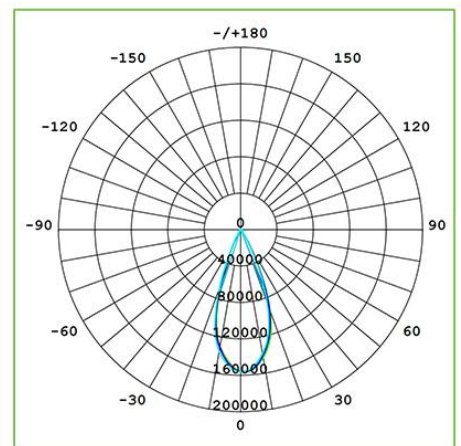
Light Distribution Curves



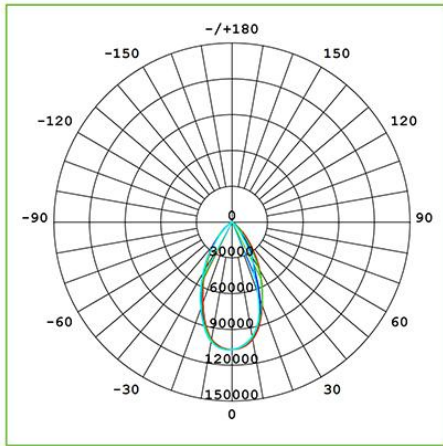
10°



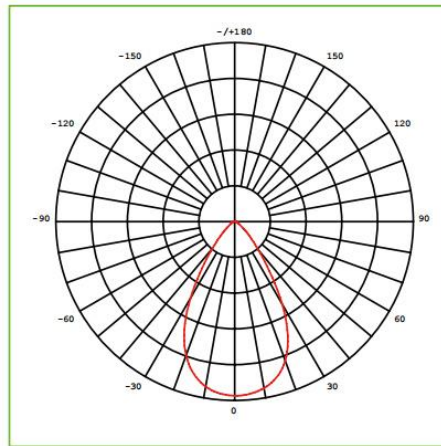
20°



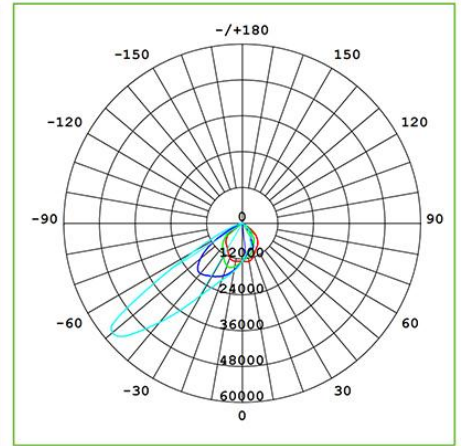
40°



60°



90°

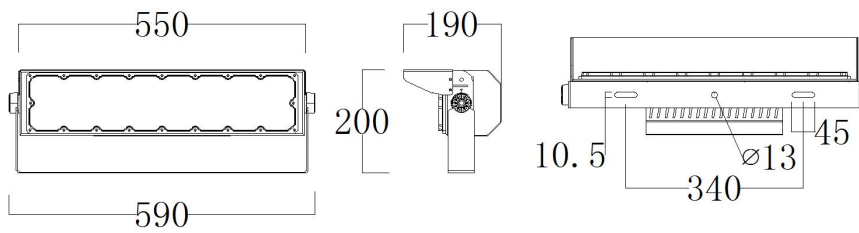


Asymmetric 50°

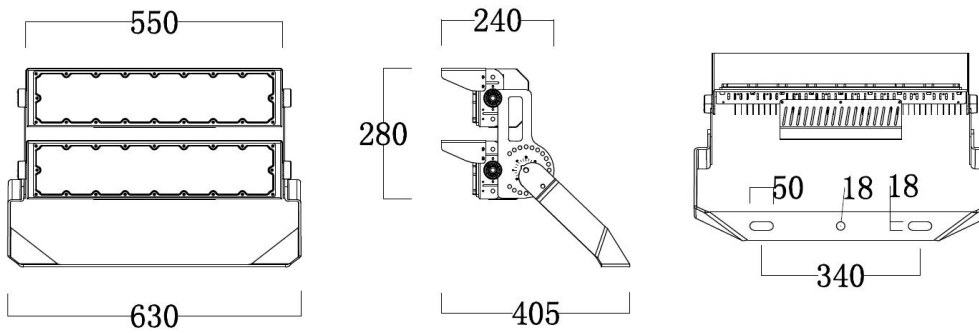
Dimensions and Drawings

Unit: mm

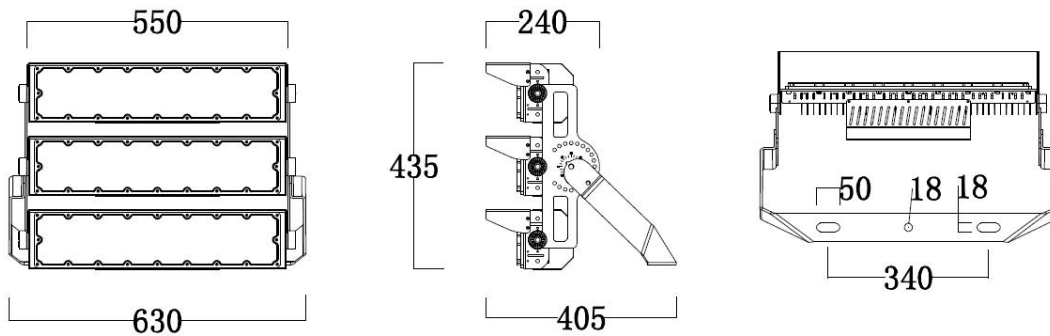
250W



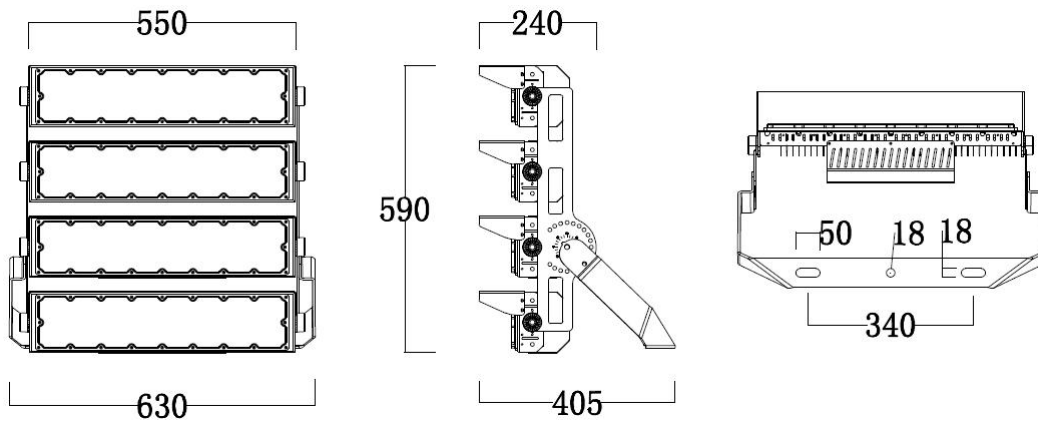
500W



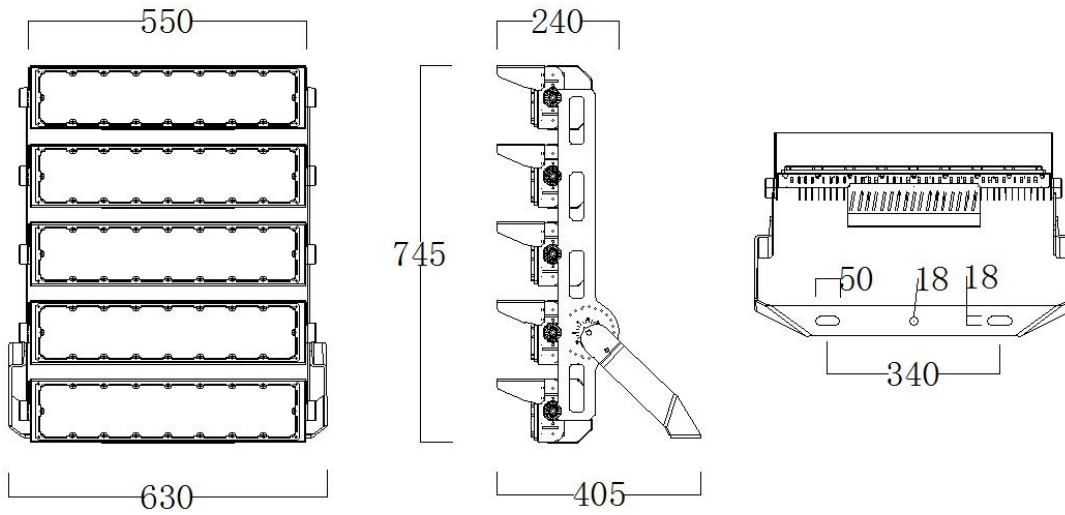
750W



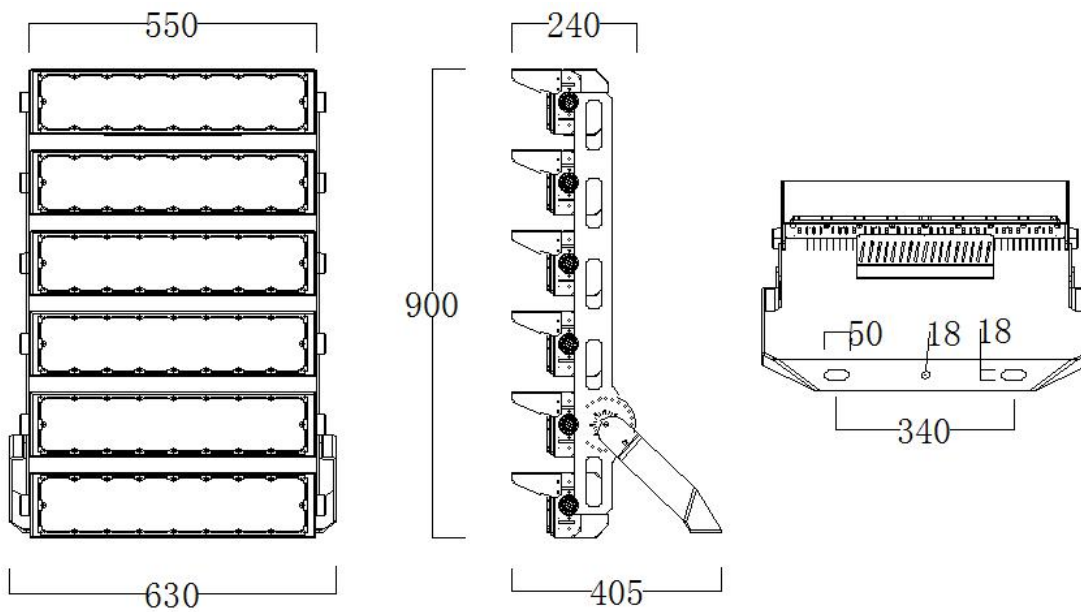
1000W



1250W



1500W



Installation Requirements

1. Power off before installation, and read the instruction carefully;
2. Make sure the installation material can endure the lamp weight;
3. Please prepare two sets of expansion bolts, and drill holes in the installation body, then install the lamp, finally screw down expansion bolts and bracket screws;
4. Connect lamp wire to match power wire, and seal the joint with insulation;
5. The lamp must be installed reliably to prevent loosening and falling off.

Notice

1. Please first read the product specification carefully, make sure the using environment conform to specification, then it can be used;
2. Please confirm the input voltage, frequency before use;
3. This product must be installed by professionals;
4. If there is any damage to the power wire or shell of the product, it should be taken as defective product and do not use;
5. Dangerous high voltage, non-professionals are not allowed to maintain the product;
6. If external soft cable or soft wire of the light is damaged, it should be replaced by manufacturer or service agent or personnel with similar qualification to avoid danger.

Applications

