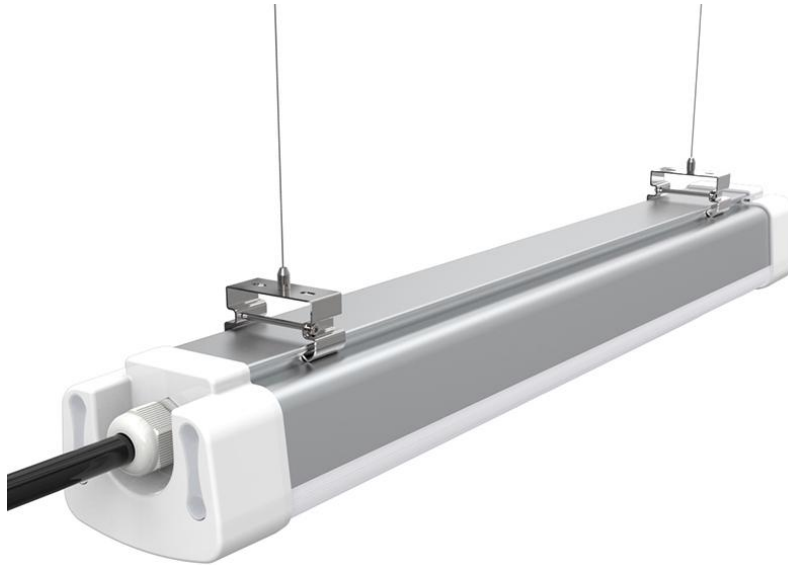




Product Specifications

(ARIES LED VAPOR LIGHT)



Aries LED vapor proof lights are simply structured and elegant designed, built with a soft polycarbonate diffused lens and advanced aluminum heatsink for superior heat dissipation, can replace up to 160W fluorescent tubes, and are an attractive and durable lighting solution.

Not only do the Aries LED vapor proof lights offer an extensive application range from commercial to industrial for any retrofit or new installation, but it is also a genuine champion for being energy-efficient and cost-effective. If you are looking for an ideal luminaire for your parking garage, warehouse, corridor, shop, etc, it will be your best option.

Features

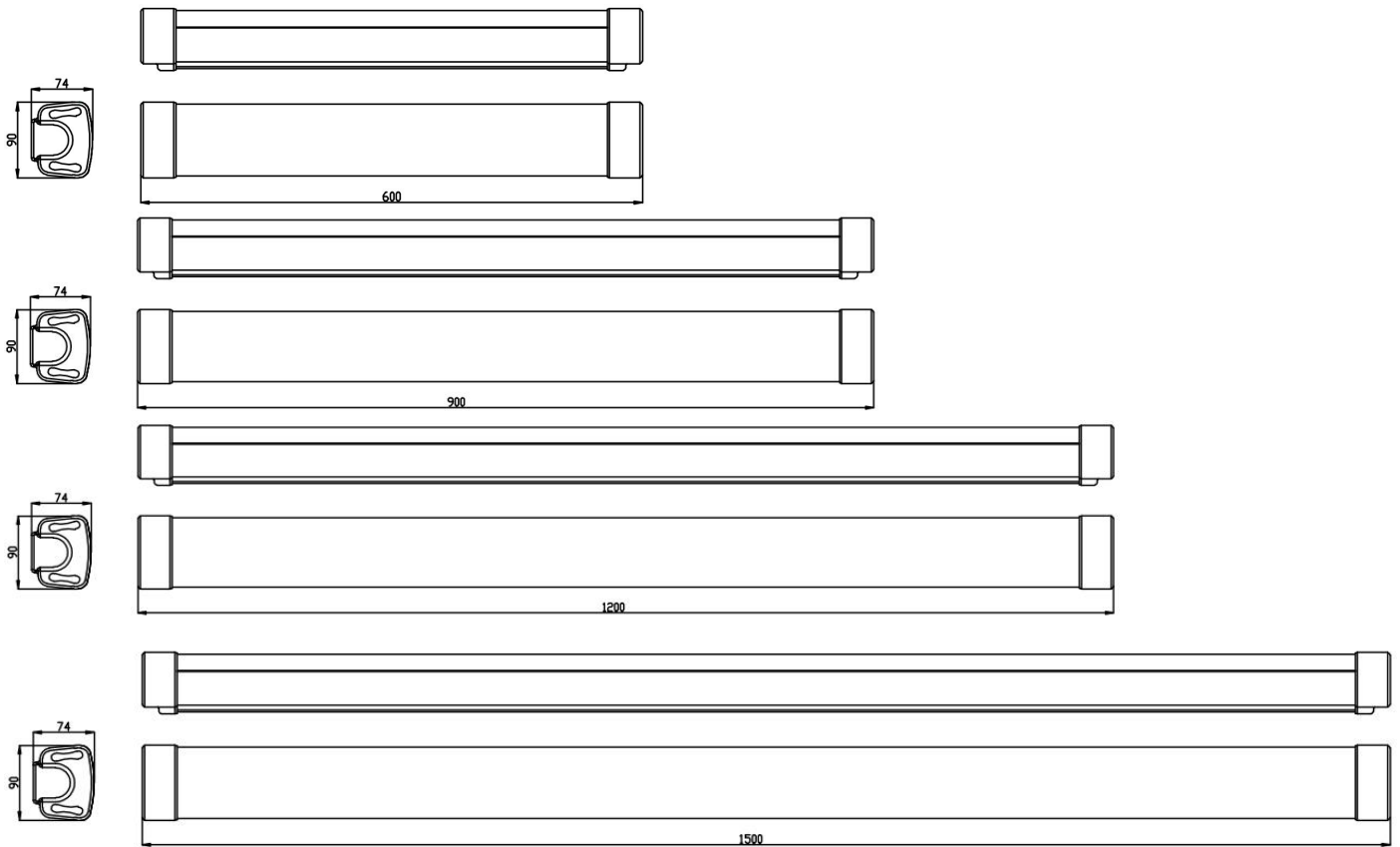
- Use high quality LED and power supply, to ensure the product reliability and life expectancy;
- Adopt dust and waterproof structure design, protection level IP66;
- Aluminum profile and polycarbonate diffuser, high impact resistance;
- Fast and easy installation to replace existing lighting fixtures;
- 5 years warranty.

Technical Specifications

Model No.	LGS-TPLAR-06-20W	LGS-TPLAR-09-30W	LGS-TPLAR-12-40W	LGS-TPLAR-12-50W	LGS-TPLAR-15-60W	LGS-TPLAR-15-75W
Power	20W	30W	40W	50W	60W	75W
Lumen Output	2,800lm	4,200lm	5,600lm	7,000lm	8,400lm	10,500lm
Lumen Efficiency	140lm/w					
CCT	3000/4000/5000/5700/6500K					
CRI	Ra>80(Ra>90 on request)					
Light Decay Rate	Less than 3% in 6,000Hours					
Lifespan	≥50,000Hrs					
Input Voltage	220-240VAC 50/60Hz					
Power Factor	PF>0.95					
THD	<15%					
Driver Brand	Philips/Osram					
Material	Aluminum housing+Polycarbonate diffuser					
Degree of Protection	IP66					
Dimensions(mm)	L600*W90*H74	L900*W90*H74	L1200*W90*H74	L1200*W90*H74	L1500*W90*H74	L1500*W90*H74
Appearance	Silver					
Installation	Mounted/Suspended					
Working Temperature	-30℃~+50℃, 10%~90%R.H.					
Storage Temperature	-40℃~+70℃, 0%~95%R.H.					
Certificate	CE, RoHS					
Warranty	5 years					
Optional Functions	Dimming & Sensor On Request					

Dimensions and Drawings

Unit: mm

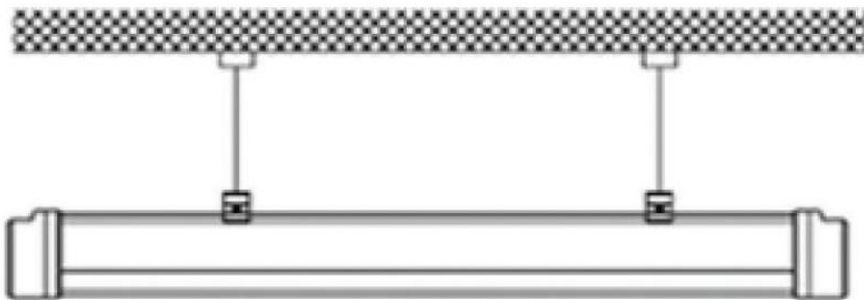


Installations

Ceiling mounting



Suspending



Installation Requirements

1. Power off before installation, and read the instruction carefully;
2. Make sure the installation material can endure the lamp weight;
3. Connect lamp wire to match power wire, and seal the joint with insulation;
4. No matter which kind of installation method, the lamp must be installed reliably to prevent loosening and falling off.

Notice

1. Please first read the product specification carefully, and make sure the using environment conform to the specification, then it can be used;
2. Please confirm the input voltage, frequency before use;
3. This product must be installed by professionals;
4. If there is any damage to the power wire or shell of the product, it should be taken as defective product and do not use it;
5. Dangerous high voltage, non-professionals are not allowed to maintain the product;
6. If external soft cable or soft wire of the light is damaged, it should be replaced by manufacturer or service agent or personnel with similar qualification to avoid danger.

Applications

