

Helios LED High Mast Light



Features

- Die-cast Aluminum heat sinking, high thermal conductivity enables rapid heat dissipation to the outside, excellent thermal management & compact structure
- Packed with reputed brand LEDs and power supply to ensure the product reliability and life expectancy, 5 years warranty
- Anti UV optical polycarbonate lens, IK08 and light transmittance > 94%, professional light distribution with different beam angles for various applications
- IP66 structural dust and waterproof design
- Double surge protection: driver & extra 10KV SPD
- Optional tempered glass cover, apply in harsh conditions
- Spill shield to reduce light pollution

Application

- Parking areas lighting
- Pubic square and passage
- Stadium and gymnasium
- Park and Statue

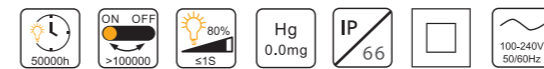


Technical Features

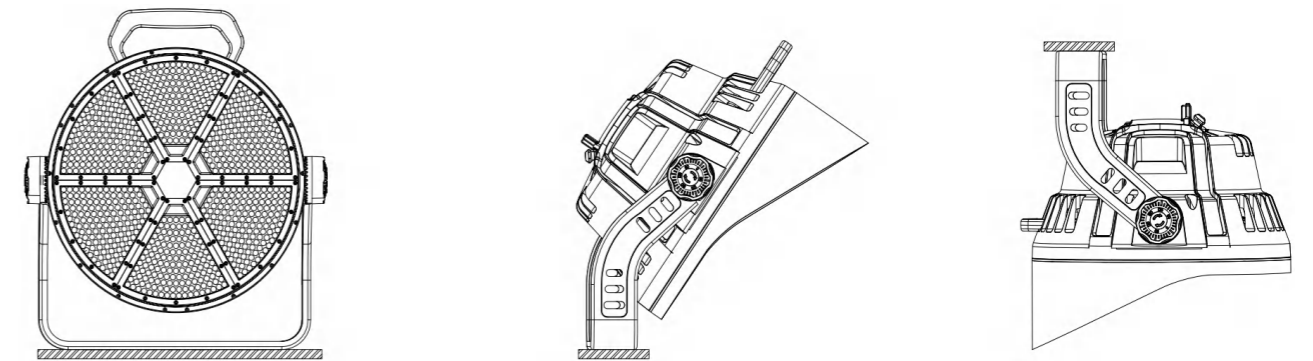
- Input Voltage: AC100-240V 50/60Hz
- Total Harmonic Distortion: THD: < 10%
- Power Factor: PF>0.95
- Color Rendering Index: Ra>80
- Beam Angle: 10/15/25/45/60/90 degree
- Lumen maintenance @6000h: >97%
- IP Rating: IP66
- Life Span: >50,000 hours
- Warranty: 5 years
- Material: Aluminum Housing + Polycarbonate Lens + Tempered Glass Cover(on request)
- Dimmable: 1-10V / PWM / Resistance / Dali available
- Operation Temperature: -30~+50 celsius degree
- Storage Temperature: -40~+70 celsius degree

Datasheet

Product Code	Rated Power	Input Voltage	LED Type	CCT	Power Factor	Luminous Flux (LM)	Lumen Efficacy (LM/W)	CRI
LGS-GSHL-400W	400W	AC100-240V	Lumileds/Osram	2700-6500K	PF>0.95	60,000lm± 10%	150	Ra>80
LGS-GSHL-500W	500W	AC100-240V	Lumileds/Osram	2700-6500K	PF>0.95	75,000lm± 10%	150	Ra>80
LGS-GSHL-600W	600W	AC100-240V	Lumileds/Osram	2700-6500K	PF>0.95	90,000lm± 10%	150	Ra>80
LGS-GSHL-800W	800W	AC100-240V	Lumileds/Osram	2700-6500K	PF>0.95	120,000lm± 10%	150	Ra>80
LGS-GSHL-1000W	1000W	AC100-240V	Lumileds/Osram	2700-6500K	PF>0.95	150,000lm± 10%	150	Ra>80
LGS-GSHL-1200W	1200W	AC100-240V	Lumileds/Osram	2700-6500K	PF>0.95	180,000lm± 10%	150	Ra>80



Installations



Photometric Curve

